



RADIAL PISTON PUMP 12R

ENGINEERING

1

Ref. No. P09197

Release 10/2004

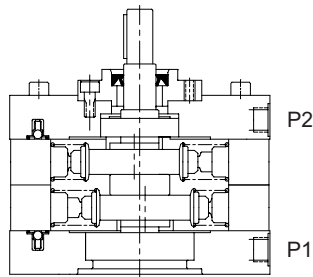
Description

Radial piston arrangement, with 5 or 7 pumping elements each per pump section. Oil immersed face mounting, Valve controlled, Fixed delivery, Bi-directional rotation of shaft, with extension shaft for through drive. Available with extension bracket assembly for coupling a low pressure pump having standard flange.

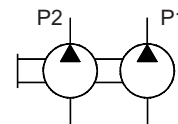
Flows can be combined internally, externally to feed one circuit or used independently to feed Two circuits.



Section

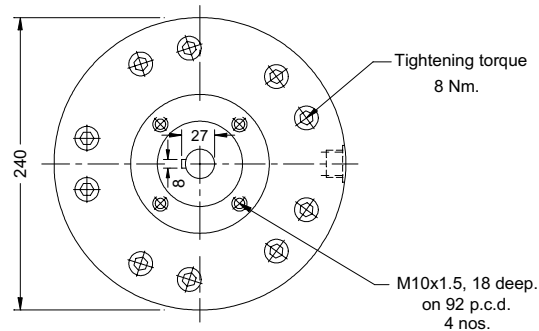
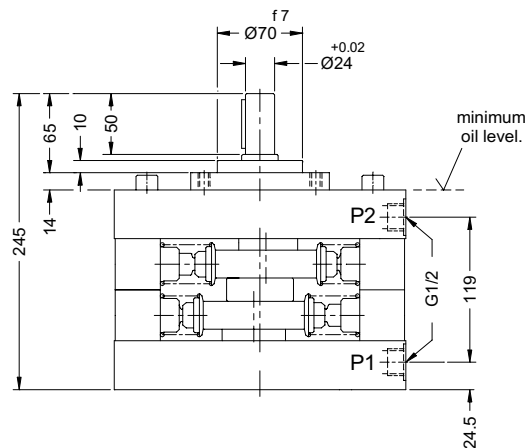


Hydraulic Symbol



Unit Dimensions

Dimensions in mm.



Polyhydron Pvt. Ltd.

78-80, Machhe Industrial Estate, Machhe,
Belgaum - 590 014. INDIA.

Phone : +91-(0)831-2411001

Fax : +91-(0)831-2411002

E-mail : polyhydron@vsnl.com

Website : www.polyhydron.com

P09197



RADIAL PISTON PUMP 12R

ENGINEERING

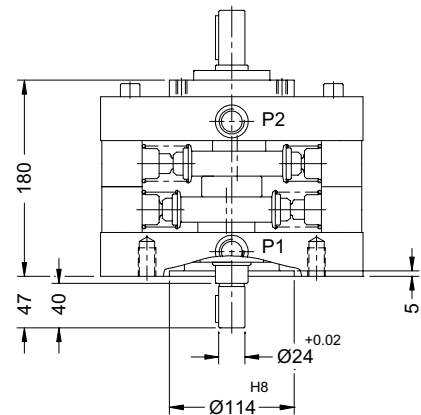
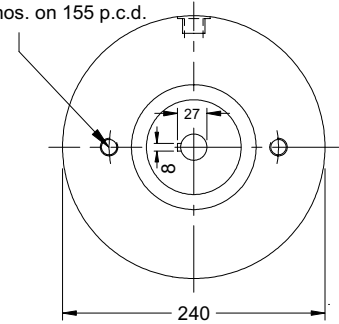
3

Ref. No. P09197

Accessories

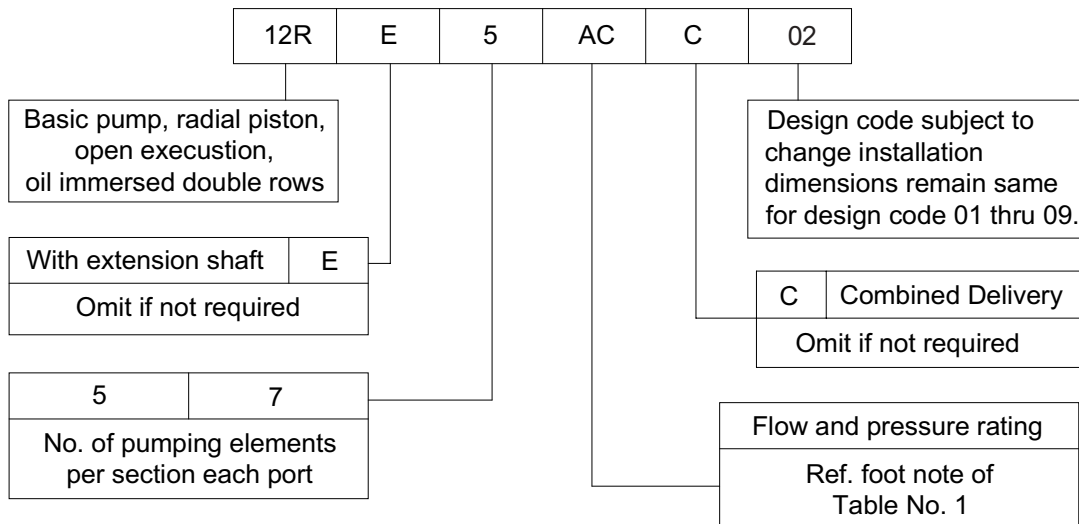
Extension shaft (For through drive)
Unit dimensions

M16x2 tap, 26 deep.
2 nos. on 155 p.c.d.



Note :
Torque limitation :- The sum of torque used for the piston pump and torque used at extended shaft end should not exceed 148 Nm. (22.2 kW @ 1450 rpm)

Ordering Code



Note 1 : A double pump of model code 12R5AC, for example, will have 5 pumping elements of 'A' flow and pressure rating at it's P1 port end section and 5 pumping elements of 'C' flow and pressure rating at it's P2 port end section.

Note 2 : For Bell Housing refer Sheet No. P09035.

For Extension Bracket refer Sheet No. P09090.



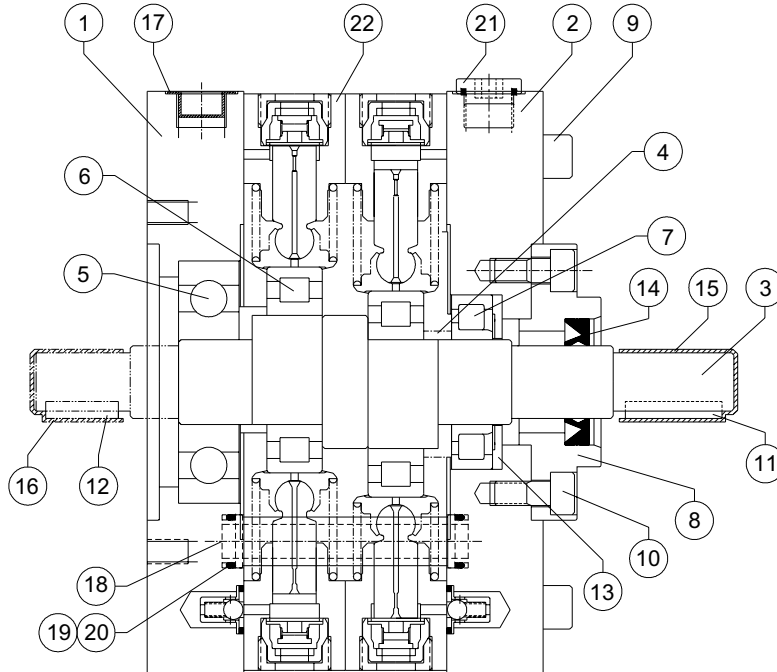
RADIAL PISTON PUMP 12R

ENGINEERING

4

Ref. No. P09197

Sectional View and Parts List



12R5**/12R7**	12RE5**/12RE7**
12R5**-C/12R7**-C	12RE5**-C/12RE7**-C

For 12R(5/7)**-C & 12RE(5/7)**-C	For 12R(5/7)** & 12RE(5/7)**	Sl. No.	Description	Part No.		Size	Qty.
		1	Valve plate	12201/12203	12201/12203		
2	Valve plate	12205/12207	12205/12207			1	
3	Shaft	12243	12244			1	
4	Spacer	12252				2	
5	Bottom Bearing	12261		KOYO 6407		1	
6	Centre Bearing.	12262		NUP 2206		1	
7	Top Bearing.	12263		NJ 207		1	
8	Mounting Flange	12235				1	
9	Cap screw	12265		M12x140 L		10/14	
10	Cap screw	00116		M10x20 L		4	
11	Shaft Key	12277		8x7x40		1	
12	Shaft Key		12278	8x7x30		1	
13	Washer	12281				1	
*14	Rotary shaft seal	12266		Dou.Lip 52		1	
15	Plastic cap	12270		11R		1	
16	Plastic cap		12271	11RE(Shaft)		1	
17	Rubber Port Plug	00013		G 1/2 Plug Cap		2 1	
18	Connecting Pipe	12259				1	
19	O'Ring	12279		17x2.5		2	
20	Backup Ring	12280		17.6x22x1.2		2	
21	Elastomeric Plug	00204		G 1/2		1	
	Sl. No.	Description	Product		Qty.		
	22	Pump element assly. (Refer Data Sheet No. A 12100)	11R-A-01 11R-B-01 11R-C-01		10/14		

All rights reserved.
Subject to revision.