



A Polyhydon Group Company

# BELL HOUSING ASSEMBLY BHP

ENGINEERING

1 of 2

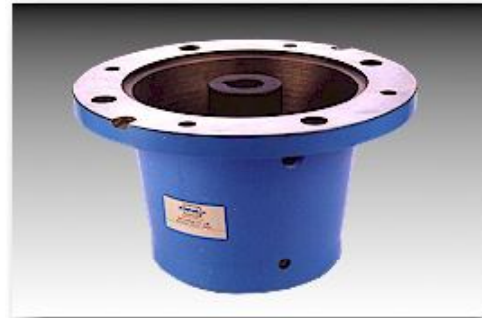
Ref. No. P09035

Release 01/2014

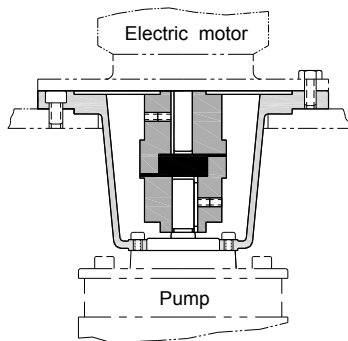
## Description

The bell housing series BHP are designed for coupling Polyhydon Radial piston pumps series 1R, 2R, 11R and 12R to electric motors having metric flanges as per IS : 2223.

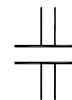
These bell housings along with resilient shaft couplings provide desired shafts' alignment and help reducing undue load on the pump and motor bearings, vibration and noise.



## Section

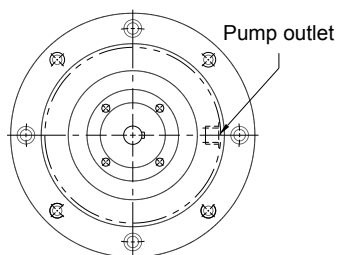
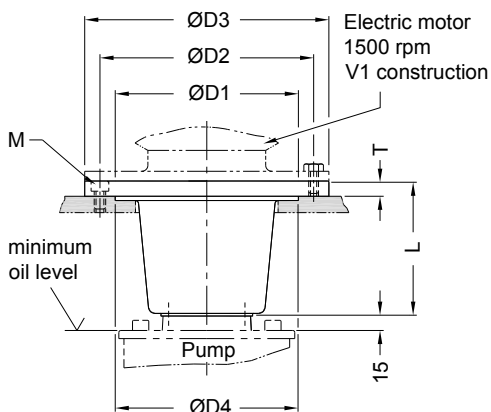


### Hydraulic Symbol



## Unit dimensions

Dimensions in mm.



For pump series	Electric motor # ( of 1500 rpm )			ØD1	ØD2	ØD3	ØD4	T	L	M x Long, Qty
	kW	hp	Frame size							
1R and 2R	0.75	1	80 / 90	130	165	200	130	16	130	M10 x 20L, 4 nos.
	1.1	1.5								
	1.5	2								
	2.2	3	100 / 112	180	215	250	180	16	145	M10 x 20L, 4 nos.
	3.75	5								
	5.6	7.5	132	230	265	300	230	16	170	M10 x 20L, 4 nos.
	7.5	10								
	9.4	12.5								
11.2	15	160 / 180	250	300	350	250	20	200	M12 x 20L, 4 nos.	
15	20									
11R and 12R	3.75	5	112	180	215	250	180	16	155	M10 x 20L, 4 nos.
	5.6	7.5	132	230	265	300	230	16	180	M10 x 20L, 4 nos.
	7.5	10								
	9.4	12.5	160 / 180	250	300	350	250	20	205	M12 x 20L, 4 nos.
	11.2	15								
	15	20								
	18.75	25	160 / 180	250	300	350	250	20	205	M12 x 20L, 4 nos.
22.5	30									

Note : # For other speeds consult factory.

**Polyhydon Pvt. Ltd.**  
78-80, Machhe Industrial Estate,  
Machhe, Belgaum - 590 014. INDIA.

**Phone** : +91-(0)831-2411001  
**Fax** : +91-(0)831-2411002  
**E-mail** : polyhydon@gmail.com  
**Website** : www.polyhydon.com



A Polyhydron Group Company

# BELL HOUSING ASSEMBLY BHP

ENGINEERING

2 of 2

Ref. No. P09035

## Technical specifications

Construction ..... Cast iron housing with flexible coupling.  
 Mounting style ..... Flange mounting.  
 Mounting position ..... Axis of the assembly can be mounted in any position.  
 Flexible coupling ..... Spider type.  
 Working temperature ..... - 20° to +70°C.

Mass (kg.)	hp	1, 1.5 & 2	3 & 5	7.5 & 10	12.5 & 15
	1R / 2R	7.5	9.5	15	24.5

	hp	5	7.5 & 10	12.5, 15, 20, 25 & 30
	11R / 12R	10.7	20	29.5

## Ordering code

