



PILOT OPERATED CHECK VALVE Model : CL***

Ref. No. D 06060
Release: 09 / 2015

ENGINEERING - 1 of 3

A Polyhydron Group Company

Description

Pilot operated Check valves model **CL***** allow free flow in the direction from Port **A** to Port **B** and offer leakage free closure in opposite direction.

Reverse flow can be achieved by applying pilot pressure to their Port **X**.

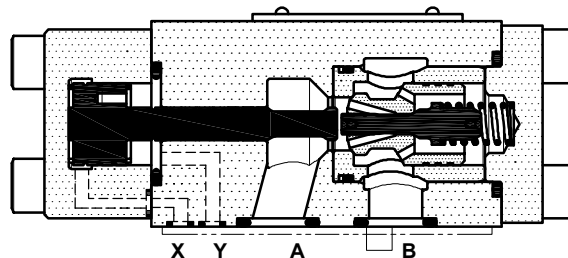
These valves are meant for applications where the reverse flow (from Port **B** to Port **A**) encounters resistance downstream of the Port **A**.

The intensity of pilot pressure required to keep the valve open during reverse flow depends upon the valve model, pressure at Port **A** and pressure existing at the Port **B** when the reverse flow starts. Pilot pressure can be calculated using formulae given below.

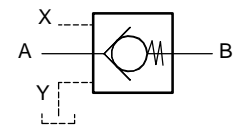


In most cases, smooth decompression and opening of the valve for flow from Port **B** to Port **A** can be effectively achieved by controlling pressure and flow to the Pilot Port **X**. However, in certain cases it is necessary to decompress the oil in the cylinder first before admitting the oil in the cylinder for the return stroke for smooth reversal.

Section



Hydraulic symbol



Technical specifications

Construction	:	Seat type valve, with decompression facility externally drain.		
Mounting style	:	Threaded port or subplate mounting.		
Mounting interface	:	Sub-plate mounting - As per ISO 5781.		
		Threaded port body - Factory standard.		
Mounting position	:	Optional.		
Flow direction	:	Free flow from A to B.		
	:	Piloted flow from B to A.		
Cracking pressure	:	1 bar.		
Working pressure	:	315 bar for Ports A, B and X.		
Area ratios	:	Pilot piston	: Decomp. poppet	16 : 1
		Pilot piston	: Main poppet	2 : 1
		Pilot piston	: Pusher pin	7.1 : 1
Hydraulic medium	:	Mineral oil.		
Temperature range	:	-20°C to + 80°C.		
Viscosity range	:	10 cSt to 380 cSt.		
Fluid cleanliness required	:	ISO 4406 20/18/15 or better.		
Max. flow handling capacity	:	Size	: 10 20 30	
		l/min	: 80 160 350	
Mass approx.	:	Size	: 10 20 30	
		in Kg	: 3.1 5.5 10.5	

Formulae for Pilot pressure required to open the valve for flow from Port B to Port A

To open decompression spool $> P_A/12.5 + P_B/16 + 0.5$

To open the main poppet $> P_B/2 - P_A/3 + 0.5$

Where,

P_A = Pressure at Port **A**.

P_B = Pressure at Port **B** when the flow occurs.

polyhydron pvt. ltd.

78-80, Machhe Industrial Estate,
Machhe, Belgaum - 590 014. INDIA.

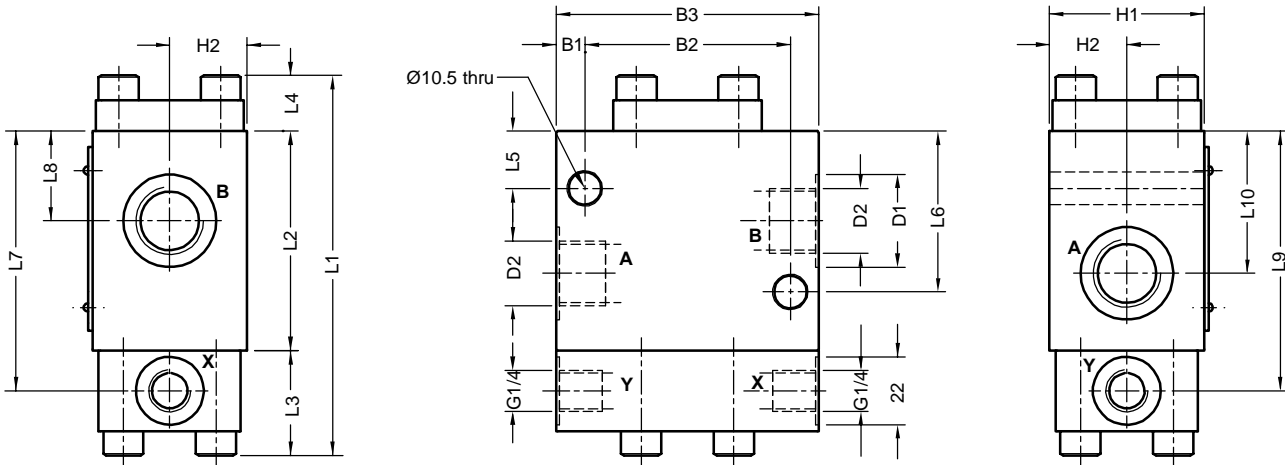
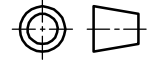
Phone : +91-(0)831- 2411001
Fax : +91-(0)831- 2411002
E-mail : polyhydron@gmail.com
Website : www.polyhydron.com



Unit dimensions

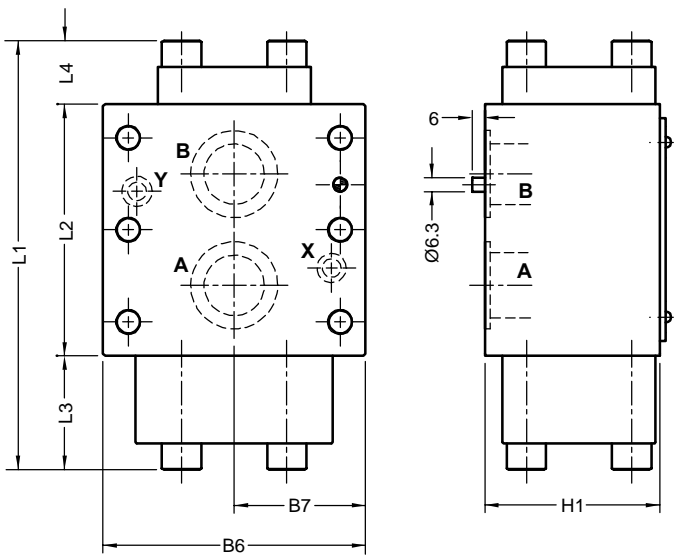
Dimensions in mm.

Threaded port body

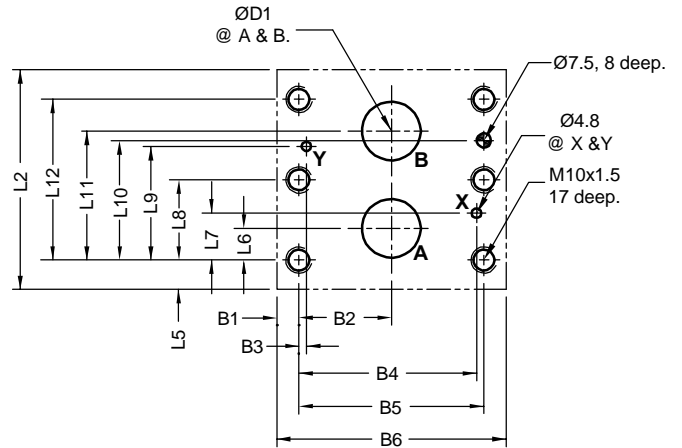


Size	L1	L2	L3	L4	L5	L6	L7	L8	L9	L10	B1	B2	B3	H1	H2	ØD1	ØD2
10	123	71	34	18	18.5	52	84	29	84	46	9.3	66.5	85	50	25	30	G1/2
20	148	88	40	20	20	64	103	30.5	103	58	10.5	74	95	58	29	44	G1
30	196	115	52	29	15.5	89	135	36	135	70	11.5	97	120	80	40	60	G1 1/2

Sub-plate mounting body



Subplate mounting interface as per ISO 5781.



Note: Valve fixing S.H.C Screws are not in scope of supply.

Size	L1	L2	L3	L4	L5	L6	L7	L8	L9	L10	L11	L12	B1	B2	B3	B4	B5	B6	B7	H1	D1 max	Valve fixing S.H.C Screws Class 12.9	Tightening Torque Nm
10	123	71	34	18	9.5	7.1	21.4	---	21.4	31.8	35.7	42.9	9.2	33.3	7.9	58.7	66.7	85	42.5	50	13	M10 x 65L 4 nos	77
20	148	88	40	20	10.5	11.1	20.8	---	39.7	44.5	49.2	60.3	10.3	39.7	6.4	73	79.4	100	50	58	22	M10 x 70L 4 nos	
30	196	115	52	29	15.5	16.7	24.6	42.1	59.6	62.7	67.5	84.1	11.6	48.4	4.0	92.9	96.8	120	60	80	31	M10 x 90L 6 nos	



Ordering code

