



GROUP 2P – P3000 SERIES

PERFORMANCE DATA

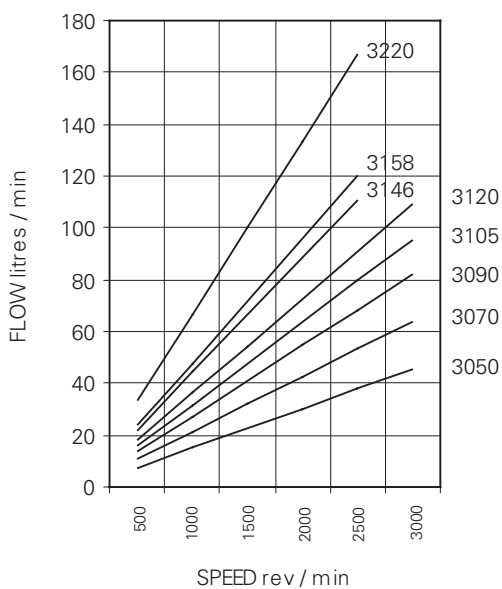
Pressures quoted are relief valve maximum by-pass
Performance with SAE 20W oil at 50° C

PUMP TYPE	Nominal Displacement	Nominal Delivery @ 1500 rpm & Pressure P	Maximum Continuous Pressure P		Speed at Maximum Continuous Pressure P	
			psi	bar	max	min
	cc/rev	lpm				
3050	15.13	22.70	3000	207	3000	550
3070	21.33	32.00	3000	207	3000	550
3090	27.33	41.00	3000	207	3000	650
3105	31.80	47.70	3000	207	3000	600
3120	36.33	54.50	3000	207	3000	650
3146	44.33	66.50	2525	174	2500	650
3158	47.87	71.80	2525	174	2500	650
3220	66.67	100.00	2000	138	2500	650

TYPICAL PERFORMANCE

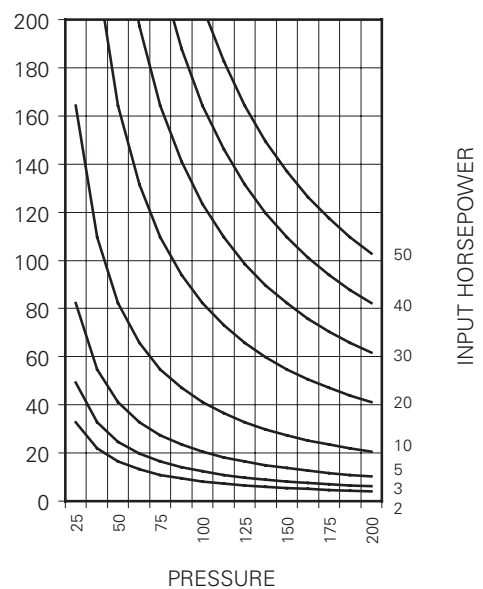
TYPICAL PUMP DELIVERY

Flow at Max. Pressure.



TYPICAL INPUT HORSEPOWER

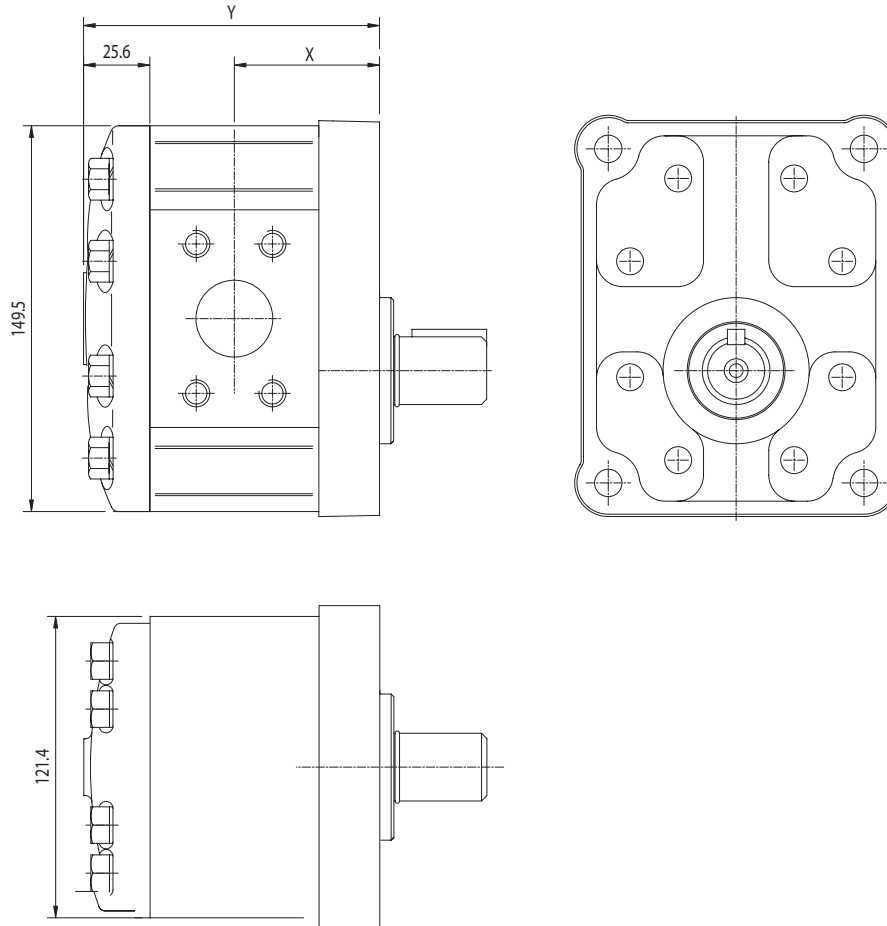
Fluid SAE 20W
Fluid Temperature 50° C





2P SERIES

INSTALLATION DIMENSIONS



2P-3220	81.7	167.8
2P-3200	72.8	150.0
2P-3180	69.7	143.8
2P-3158	74.3	153.0
2P-3146	72.8	150.0
2P-3120	69.7	143.8
2P-3105	67.9	140.0
2P-3090	59.1	122.6
2P-3070	56.7	117.7
2P-3050	54.3	113.0
PUMP TYPE.	DIM-X	DIM-Y

ALL DIMENSIONS ARE IN MM UNLESS SPECIFIED.



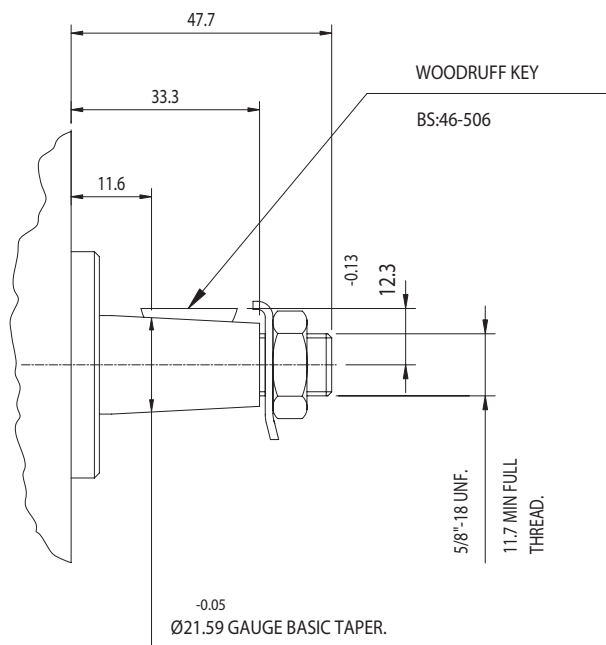
INDEX



2P SERIES

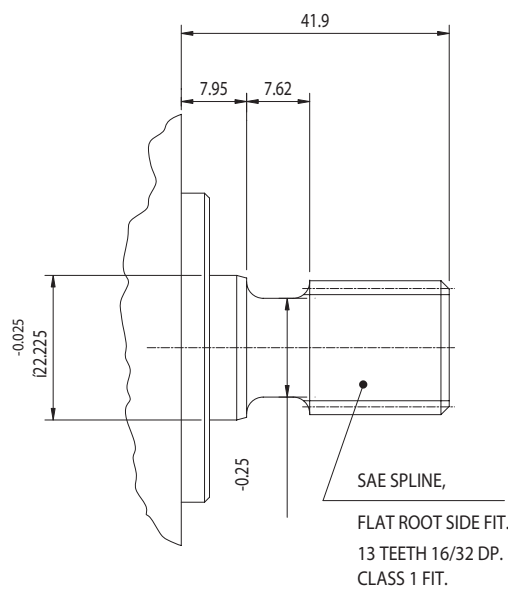
DRIVE SHAFT

CODE - T



PER INCH ON DIA 0.125" (1:8)

CODE - S



ALL DIMENSIONS ARE IN MM UNLESS SPECIFIED.



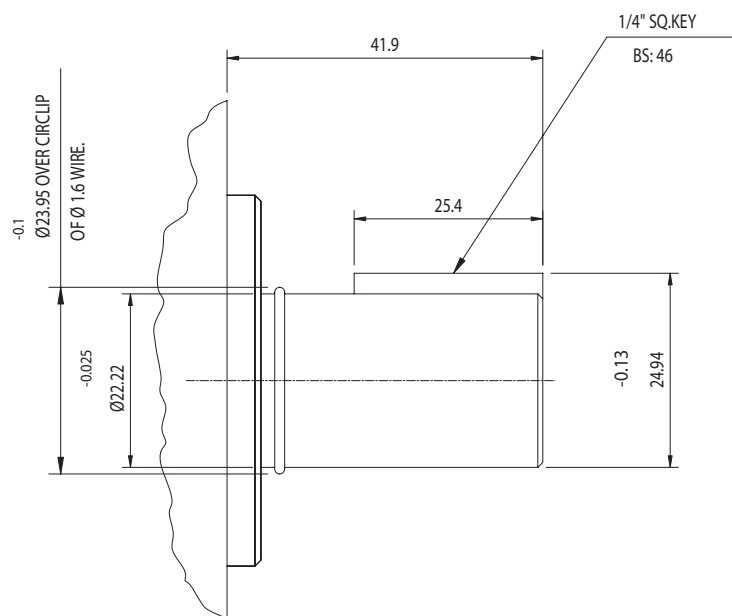
INDEX



2P SERIES

DRIVE SHAFT

CODE - P



ALL DIMENSIONS ARE IN MM UNLESS SPECIFIED.



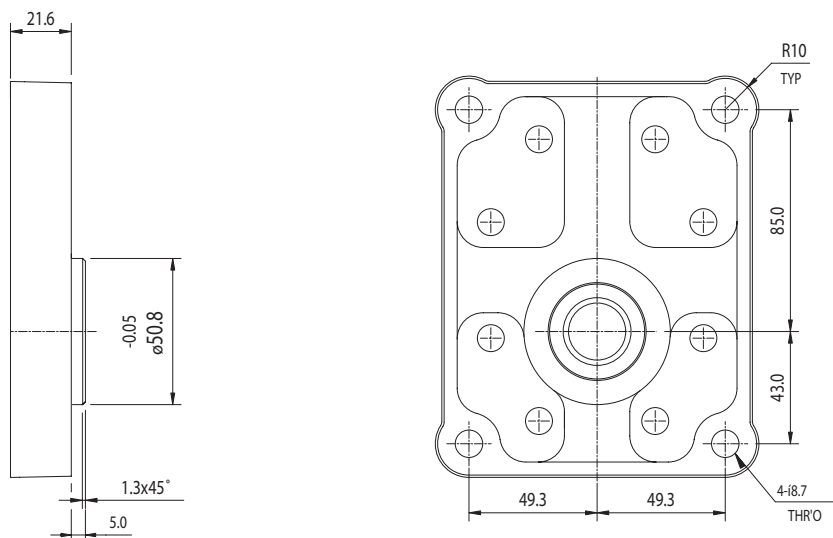
INDEX



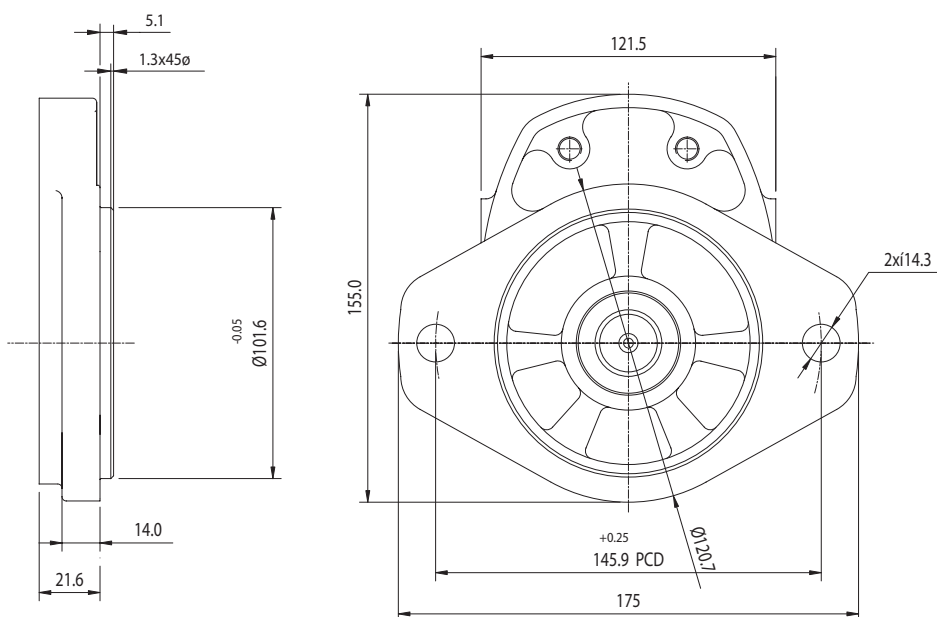
2P SERIES

MOUNTING FLANGE

CODE - D



CODE - S



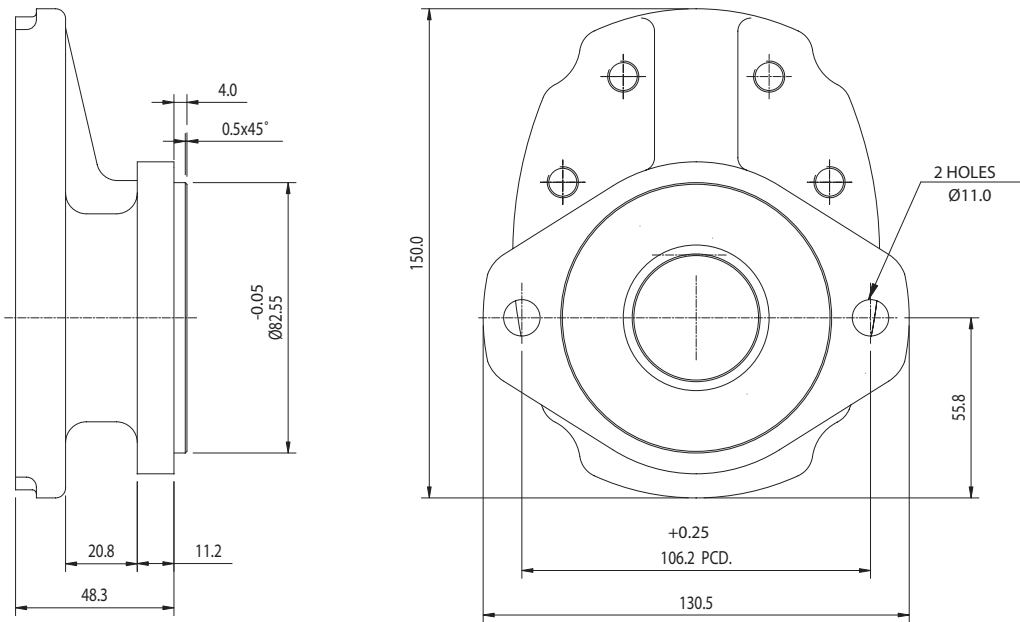
ALL DIMENSIONS ARE IN MM UNLESS SPECIFIED.



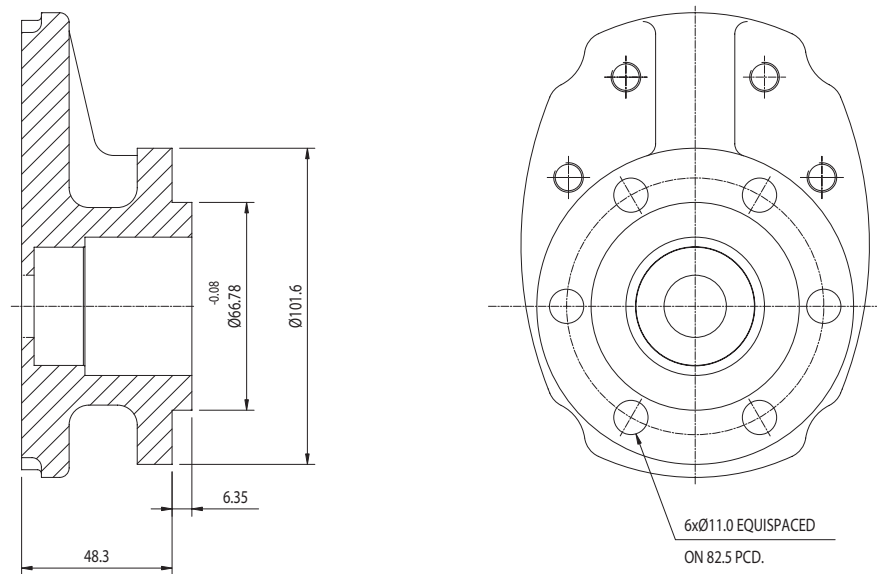
2P SERIES

MOUNTING FLANGE

CODE - X



CODE - H



ALL DIMENSIONS ARE IN MM UNLESS SPECIFIED.



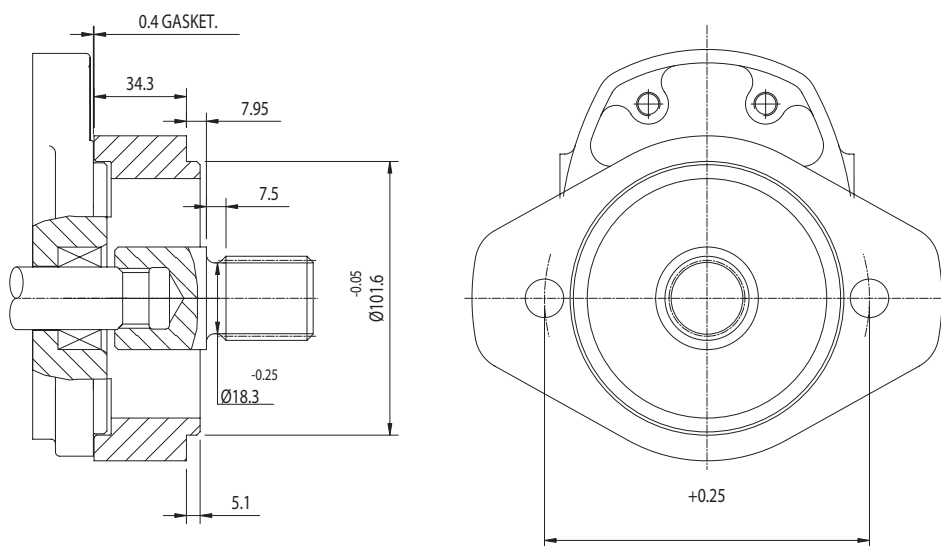
INDEX



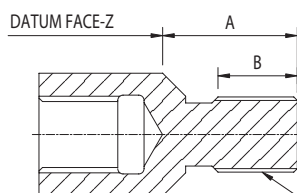
2P SERIES

DRIVE SHAFT

CODE - Q, QUILL ADAPTER



QUILL CODE.	MAX. STANDOUT. A	SPLINE LENGTH B
K2	30.5	12.2
K3	41.5	25.4



SPLINE DATA.

13 TEETH 16/32 DP
MAX.Eff. Tooth Thick
0.13 Below Class 1 Fit.

ALL DIMENSIONS ARE IN MM UNLESS SPECIFIED.



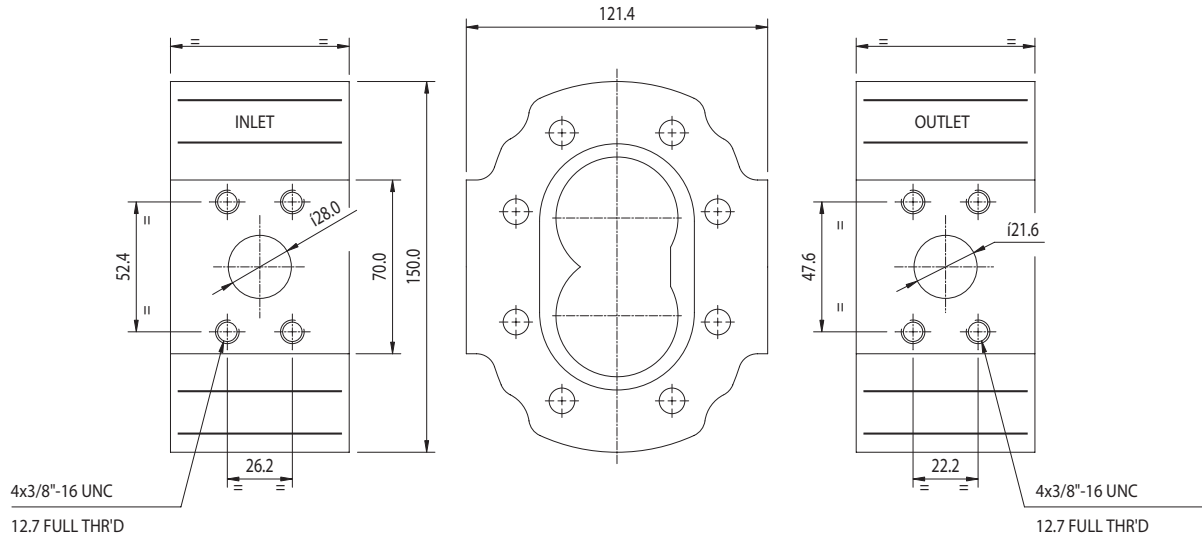
INDEX



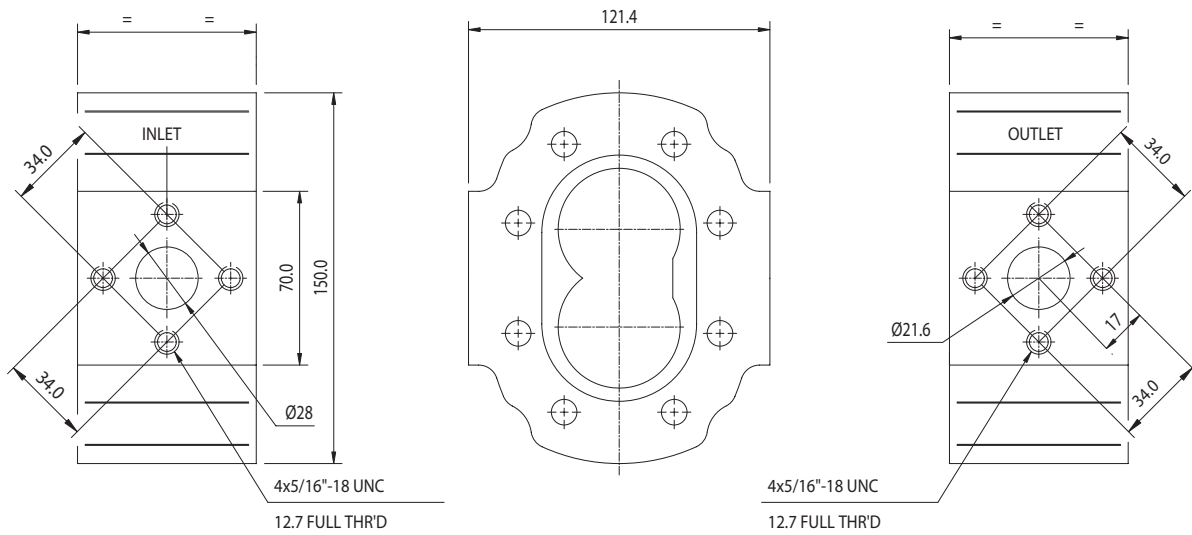
2P SERIES

BODY PORT

CODE - S



CODE - F



ALL DIMENSIONS ARE IN MM UNLESS SPECIFIED.



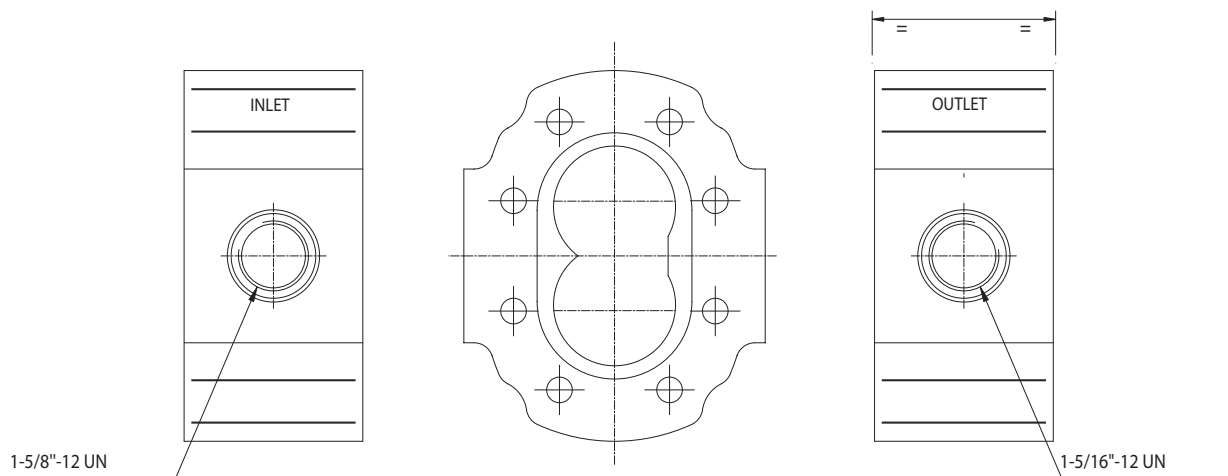
INDEX



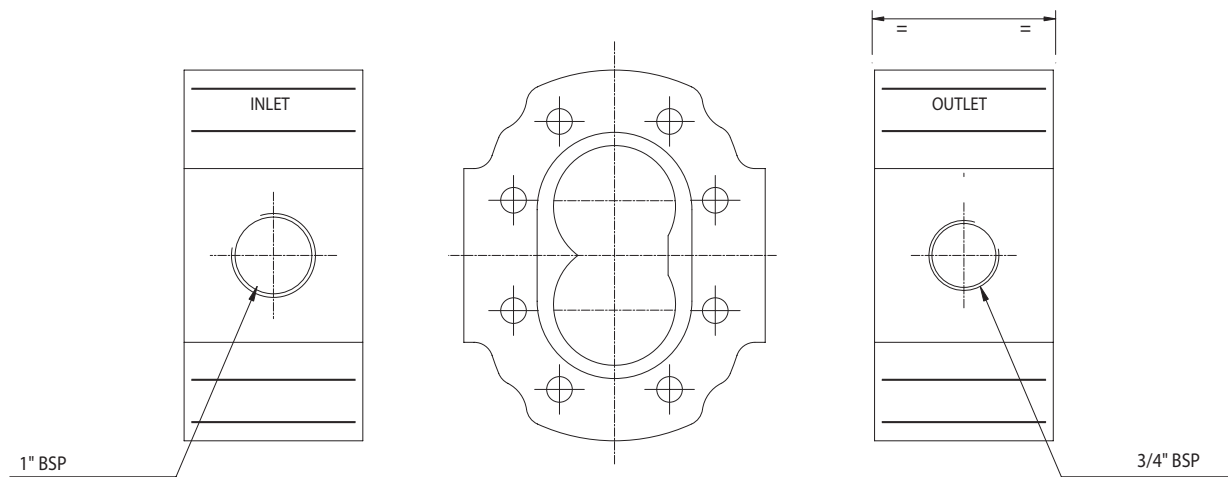
2P SERIES

BODY PORT

CODE - J



CODE - T



ALL DIMENSIONS ARE IN MM UNLESS SPECIFIED.