

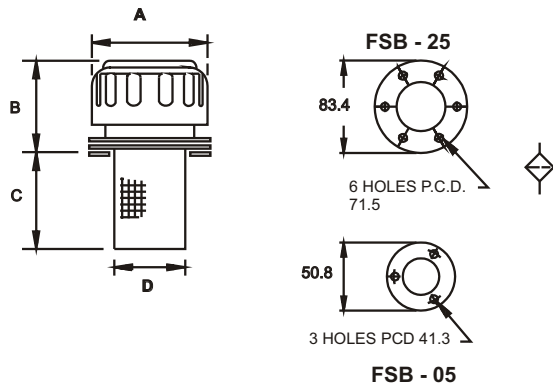
BREATHER - FSB / TB



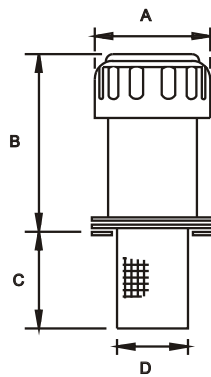
- CHROME PLATED STEEL CAP - VENTS UNDERNEATH
- ALTERNATELY CAP FINISH ZINC BLUE (ROHS) / POWDER COATED
- FILTRATION 40 MICRONS STANDARD / OPTIONAL 10 & 3 MICRONS
- AIR FLOWS TO 25 CFM (750 LPM)
- RUGGED CAST ALUMINIUM HOUSING (FOR BM MODEL)
- METAL STRAINER - STANDARD
- HARDWARE INCLUDES GASKETS & (10-32) SCREWS



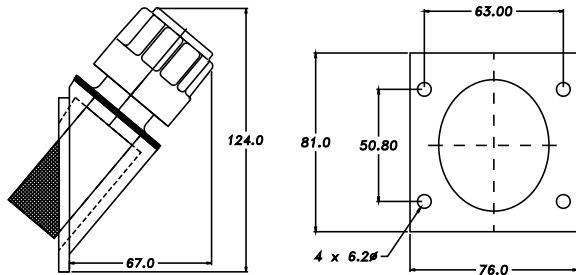
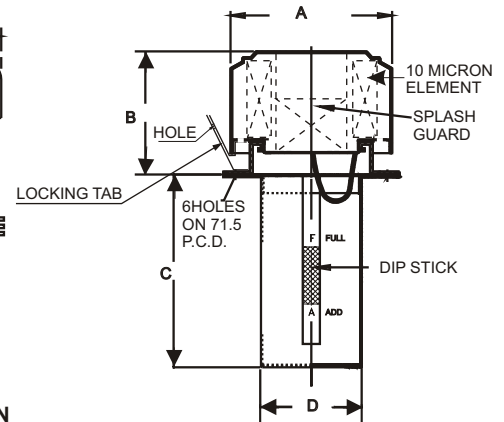
FLANGE TYPE



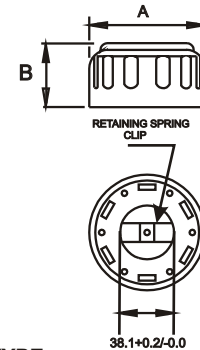
FLANGE TYPE HIGH NECK



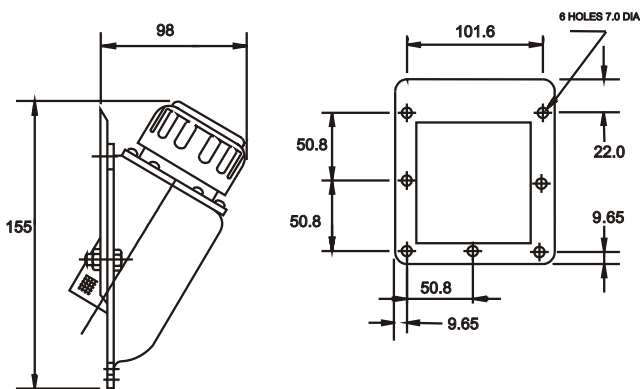
OPTIONAL FEATURES



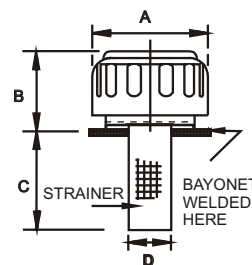
PUSH ON TYPE PB-25



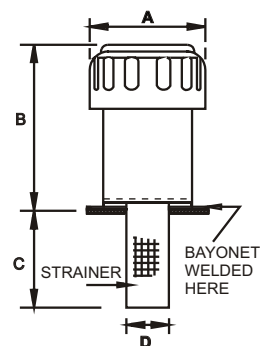
SIDE MOUNT



WELD TYPE



WELD TYPE HIGH NECK



OPTIONAL / SPECIAL FEATURE (CONSULT FACTORY) - OMIT IF NOT REQUIRED

BREATHER - FSB / TB



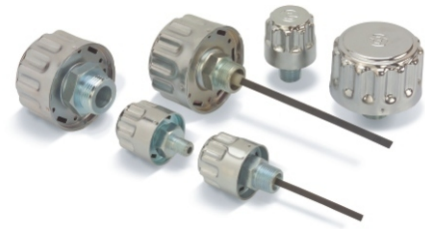
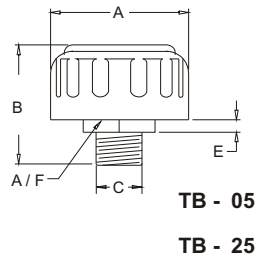
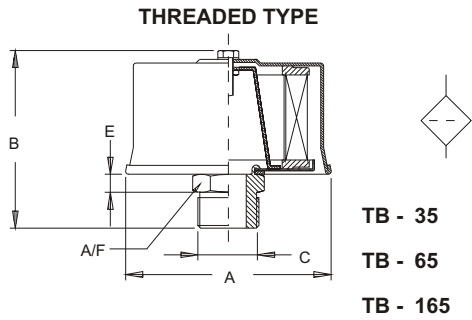
MODEL	DISPLACEMENT		RATING				WT KGS	
			MICRONS		A	B		C *
FSB - 05	150	LPM	40	45	49	65	28	0.10
FSB - 05 - 10	90	LPM	10	45	49	65	28	0.10
FSB - 25	720	LPM	40	77	62	91	50	0.25
FSB - 25 - 10	400	LPM	10	77	62	91	50	0.25
FSBW - 25	720	LPM	40	77	62	91	30	0.25
F SB - 25-HN 1	720	LPM	40	77	83	38.10	50	0.35
F SB - 25-HN 3	720	LPM	40	77	120	38.10	50	0.40
F SBW - 25-HN 1	720	LPM	40	77	83	38.10	50	0.35
F SBW - 25-HN 3	720	LPM	40	77	120	38.10	50	0.40
PB - 25	720	LPM	40	77	50	-	-	0.21

MODEL CODE : ASSEMBLY

FSB *	- 25	- * *	- BM	- **	- **	- ***	- *
SERIES	CAPACITY CFM	FILTRATION μ MICRONS	FEATURE OPTIONAL (1)	STRAINER C * OPTIONAL(2)	FEATURE 1 OPTIONAL # (OMIT IF NOT REQD)	FEATURE 2 OPTIONAL # (OMIT IF NOT REQD)	FEATURE 3 OPTIONAL # (OMIT IF NOT REQD)
FSB	05 (150 LPM)	40 - 40 μ Std	BM - SIDE MOUNT	STD		CONSULT FACTORY	B - BLACK POWDER COATED CAP Z - ZINC BLUE LACQUER COATED CAP
FSB	25 (750 LPM)	10 - 10 μ Nom	BM - SIDE MOUNT	L 4 - STD	L T - LOCKING TAB	DS 4 - DIP STICK 4"	
FSBW			03 - 3 μ Nom	HN 1 - HIGH NECK 1.5"	L 6 - 152 m m	P 5 - Pressurised 5psi	
			HN 3 - HIGH NECK 3"	L 8 - 203 m m	SG - SPLASH GUARD	DS 8 - DIP STICK 8"	

OPTIONAL / SPECIAL FEATURE (CONSULT FACTORY) - OMIT IF NOT REQUIRED

BREATHER - FSB / TB

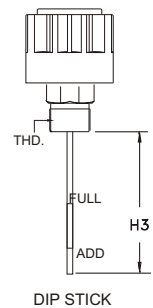
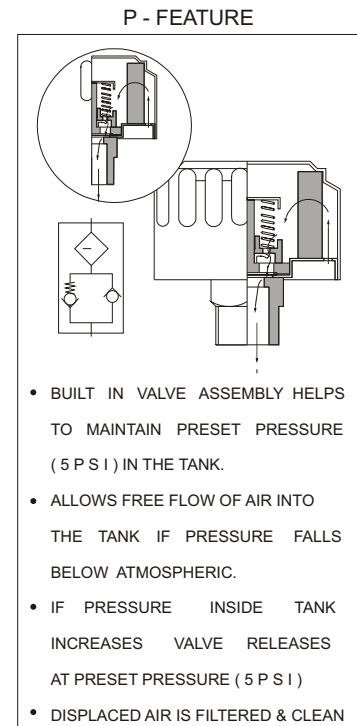


MODEL	DISPLACEMENT	RATING	A	B	C	E	A/F	WT
		MICRON			STD IN BSPP			KGS
TB . 05 .	150 LPM	40						
			45	63	1/4"	8	25	0 . 13
TB . 05 . 10	90 LPM	10						
TB . 25 .	720 LPM	40						
			77	75	3/4"	10	30	0 . 25
TB . 25 . 10	400 LPM	10						
TB . 35 .	1000 LPM	10	110	138	1 - 1/2"	12	55	0 . 40
TB . 65 .	2000 LPM	10	145	145	2"	15	65	0 . 55
TB . 165 .	4000 LPM	10	185	195	2 - 1/2"	15	80	1 . 30

Note : TB 35 / 65 / 165 Nylon Housing

MODEL CODE : ASSEMBLY

TB	- 05	- 10	- * * *	- P	- *	
SERIES	CAPACITY	FILTRATION	THREADS	FEATURE	FEATURE 3	
	CFM	μ MICRONS	OPTIONAL #	SPECIAL #	OPTIONAL # (OMIT IF NOT REQD)	
TB	05	40 - 40 μ Std	03 - 3/8"	B - BSPP	P - PRESSURISED (5 PSI) SG - SPLASH GUARD DS 4 - DIP STICK 4" DS 6 - DIP STICK 6" (Ref - H3) DS 8 - DIP STICK 8"	B - BLACK POWDER COATED CAP Z - ZINC BLUE LACQUER COATED CAP
		10 - 10 μ Nom	04 - 1/2"			
		03 - 3 μ Nom	04 - 1/2"			
			08 - 1"			
	35	10 - 10 μ Nom		10 - 1-1/4"	S - SAE	
			10 - 10 μ Nom			
			10 - 10 μ Nom			
			10 - 10 μ Nom			



OPTIONAL / SPECIAL FEATURE (CONSULT FACTORY) - OMIT IF NOT REQUIRED