

Description

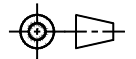
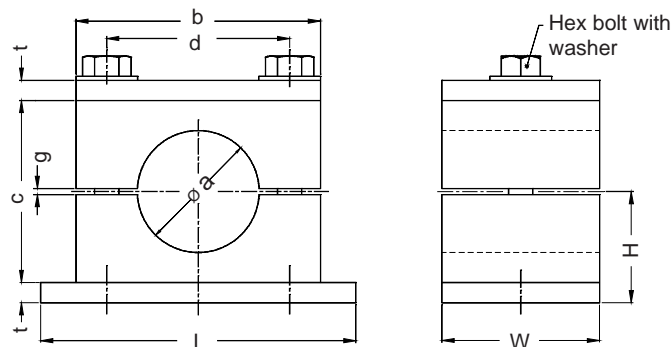
Tube & pipe clamps are used in installations to provide rigid support to the pipes both in lateral & longitudinal directions relieving stresses caused by unequal movements in the pipe line.

The use of clamps will also prevent the transmission of vibrations from the pipe to the frame & vice versa. Loosening of joints, welds & leakage in the system can be avoided by the rigidity provided by the clamps.

These are available in Metric Series from Tube o.d. of 6 mm to 38 mm.



Unit Dimensions



Dimensions in mm

Table No.1

Group No.	Tube Size		L	c	t	g	b	d	W	H
	ø a	Code								
HA	06	006	73	32	8	1	55	33	30	24
	08	008								
	10	010								
	12	012								
	14	014								
	15	015								
	16	016								
18	018									
HB	20	020	85	48	8	1	70	45	30	32
	22	022								
	25	025								
	28	028								
	30	030								
HC	30	030	100	60	8	1	85	60	30	38
	35	035								
	38	038								
HD	38	038	140	90	10	2	115	90	45	55
	42	042								

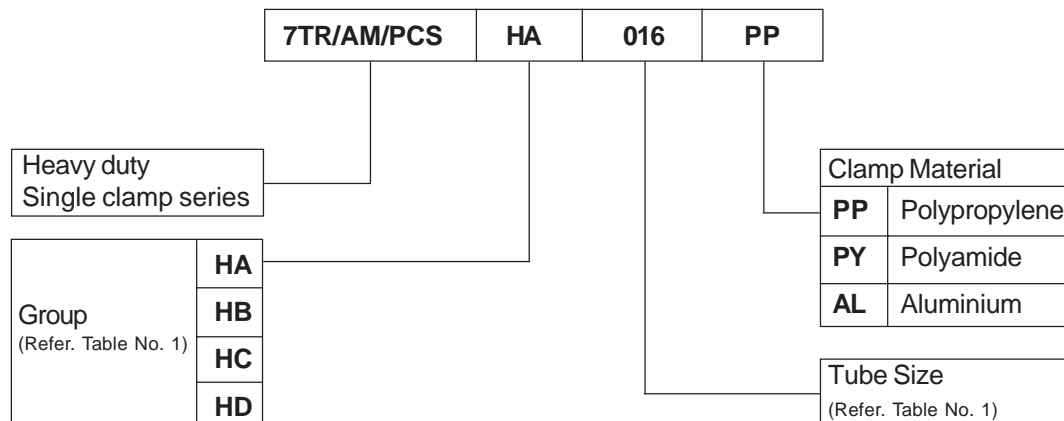


TUBE AND PIPE CLAMPS

Ref. No. **H04732A**
Release. Sep. 2005

ENGINEERING **2**

Ordering Code



All rights reserved.
Subject to revision.

hyloc hydrotechnic pvt. ltd
88, Machhe Industrial Estate, Machhe
BELGAUM, 590 014. (INDIA)

Phone : 91- 831- 241 2777
Fax : 91- 831- 241 2784
http : // www.hyloc.co.in
E-mail : sales@hyloc.co.in