



RADIAL PISTON PUMP 11R

ENGINEERING

1

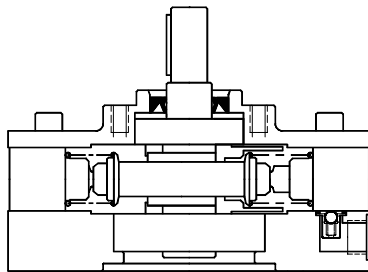
Ref. No. P09190
Release 10/2004

Description

Radial piston arrangement, with 5 or 7 pumping elements.
Oil immersed face mounting. Valve controlled. Fixed delivery.
Bi-directional rotation of shaft. With extension shaft for through
drive. Available with extension bracket assembly for coupling a
low pressure pump having standard flange.



Section

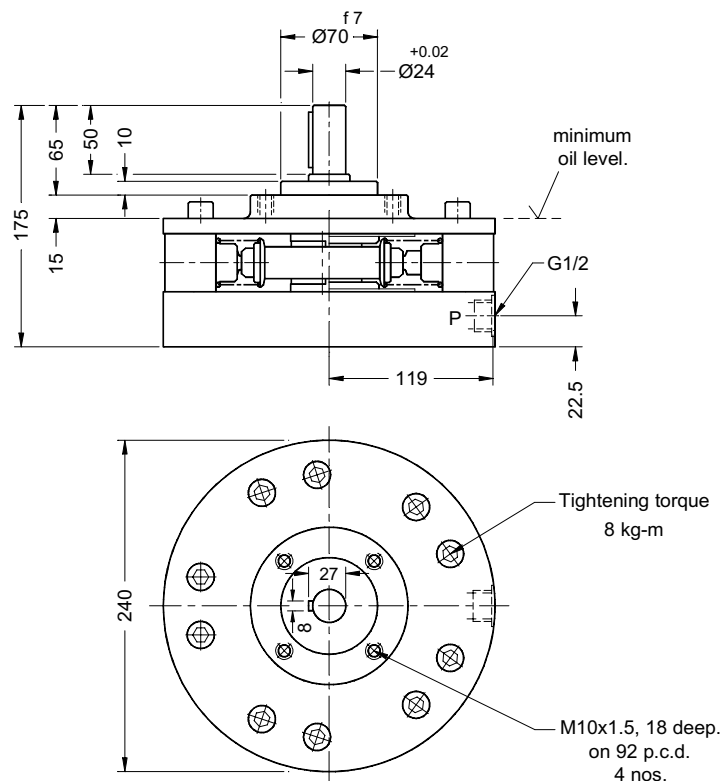


Hydraulic Symbol



Unit dimension

Dimensions in mm.



Polyhydron Pvt. Ltd.
78-80, Machhe Industrial Estate,
Machhe, Belgaum - 590 014. INDIA.

Phone : +91-(0)831-2411001
Fax : +91-(0)831-2411002
E-mail : polyhydron@vsnl.com
Website : www.polyhydron.com



RADIAL PISTON PUMP 11R

ENGINEERING

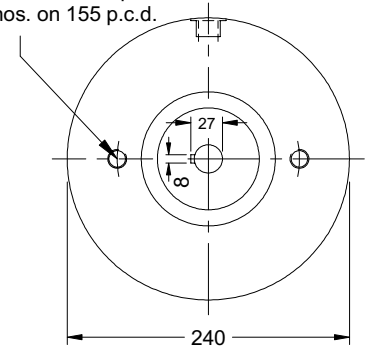
3

Ref. No. P09190

Accessorie

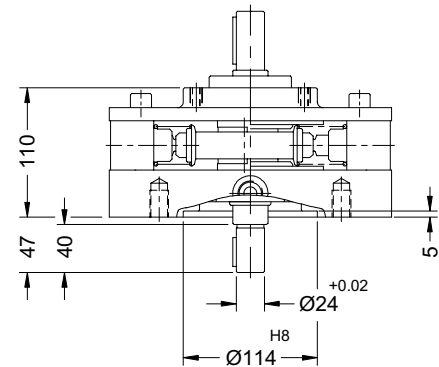
Extension shaft (For through drive)
Unit dimensions

M16x2, 26 deep.
2 nos. on 155 p.c.d.

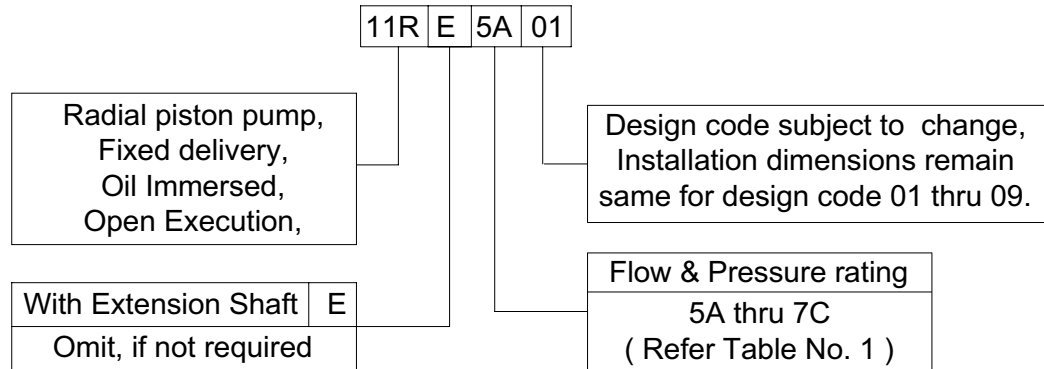


Note :

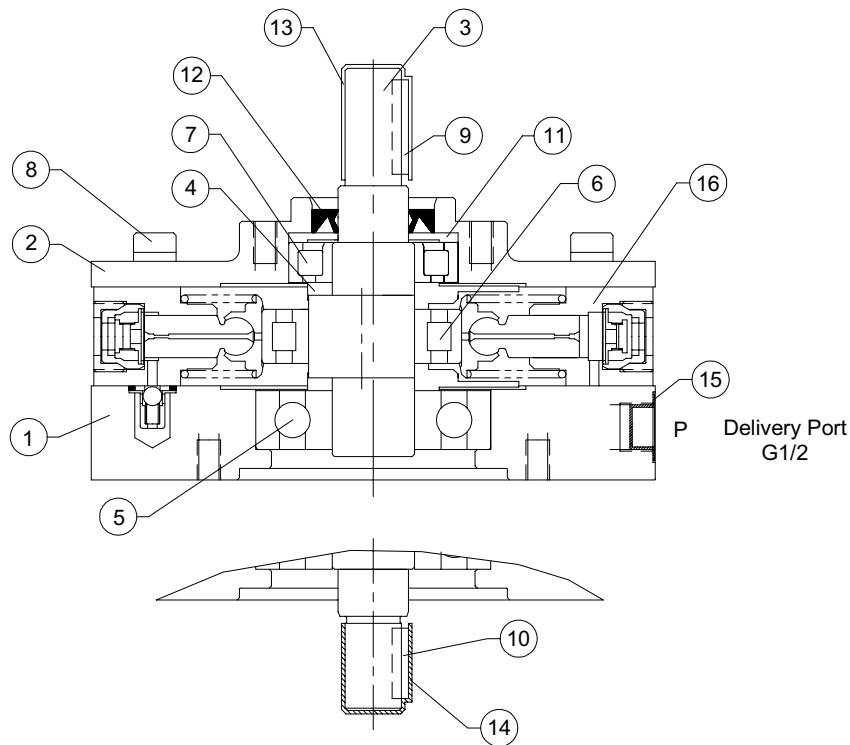
Torque limitation :- The sum of torque used for the piston pump and torque used at extended shaft end should not exceed 148 Nm.
(22.2 kW @ 1450 rpm)



Ordering code



Note : For Bell housing refer sheet No.P09035.
For Extension bracket sheet No. P09090.

Sectional view & Parts Detail


Sl. No.	Description	Part No.		Size	Qty.
		11R5/7	11RE5/7		
1	Valve plate	12201/12203	12201/12203		1
2	Cover plate	12221/12223	12221/12223		1
3	Shaft	12241	12242		1
4	Balancing Plate	12251			2
5	Bottom Bearing	12261		6407	1
6	Centre Bearing.	12262		NUP 2206	1
7	Top Bearing.	12263		NJ 207	1
8	Cap screw	12264		M12x70 L	10/14
9	Shaft Key	12277		8x7x40	1
10	Shaft Key	---	12278	8x7x30	1
11	Washer	12281			1
*12	Rotary shaft seal	12266		Dou.Lip 52	1
13	Plastic cap	12270		11R	1
14	Plastic cap	---	12271	11RE (Shaft)	1
15	Rubber Port Plug	00011		G 1/2 Plug Cap	1
Sl.No.	Description	Product		Qty.	
16	Pump element assly. (Refer Data Sheet No. A 12100)	11R-A-01 11R-B-01 11R-C-01		10/14	

Note :-

Specified part numbers are available as spares.

* Recommended seal kit.

All rights reserved.
Subject to revision.