



A Polyhydron Group Company

RADIAL PISTON PUMP 1R2

ENGINEERING

1

Ref. No. D11200A

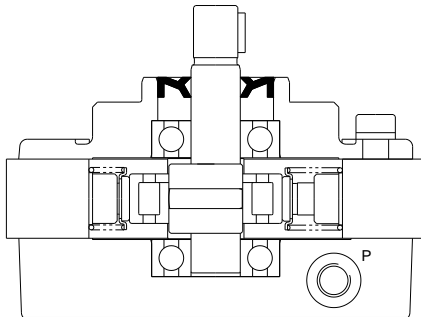
Release 08/2011

Description

Radial piston arrangement, with 2 pumping elements, Oil immersed type, Open execution, Face mounting, Valve controlled, Fixed delivery, Bi-directional rotation of shaft.



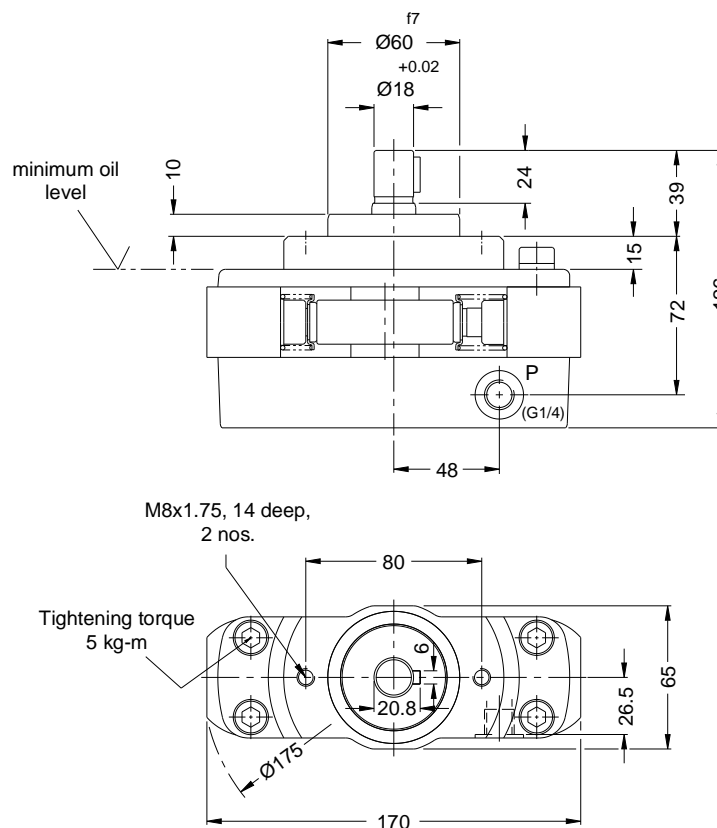
Section



Hydraulic symbol



Unit dimension



Polyhydron Pvt. Ltd.

78-80, Machhe Industrial Estate,
Machhe. Belgaum - 590 014. INDIA.

Phone : +91-(0)831-2411001
Fax : +91-(0)831-2411002
E-mail : polyhydron@gmail.com
Website : www.polyhydron.com



A Polyhydron Group Company

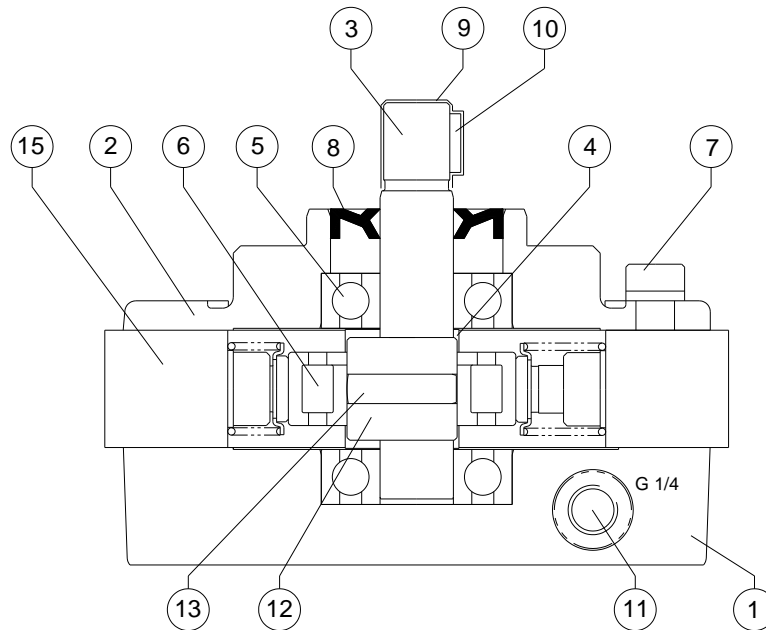
RADIAL PISTON PUMP 1R2

SERVICE

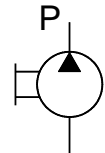
3

Ref. No. D11200A

Sectional view and Part list



Hydraulic symbol



Sl.no.	Description	Part no.	Size	Qty.
1	Valve plate	11201		1
2	Cover plate	11221		1
3	Shaft	11241		1
4	Balancing Plate	11253		2
5	Bottom Bearing	11261	6304	2
6	Centre Bearing.	11265	2206	1
7	Cap Screw	11271	M10 x 55 L	4
* 8	Rotary shaft seal	11278	20 x 47 x 8	1
9	Plastic Cap	11284	1RE	1
10	Shaft Key	11292	6 x 6 x 16 L	1
11	Rubber Port Plug (00011)	11273	G 1/4 Plug Cap	1
12	Eccentric Bush	11249		1
13	Dowel pin	11270	Ø8x29.8	1
--	--	--	--	--
Sl.no.	Description	Product	Qty.	
15	Pump element assly. (Refer Sheet No. A 11100)	1R-A-01 1R-B-01 1R-C-01 1R-D-01 1R-E-01 1R-F-01	2	

Note : Specified part numbers are available as spares.
* Recommended seal kit.



A Polyhydron Group Company

RADIAL PISTON PUMP
1R2

SERVICE

4

Ref. No. D11200A