



# SOLENOID OPERATED CARTRIDGE DCV CDE 06

ENGINEERING

1

Ref. No. D 31100

Release 02/2004

## Description

Solenoid operated cartridge type directional control valve

Sliding spool construction.

Wet pin solenoids ensure better heat dissipation, quieter operation, there by increasing solenoid life.

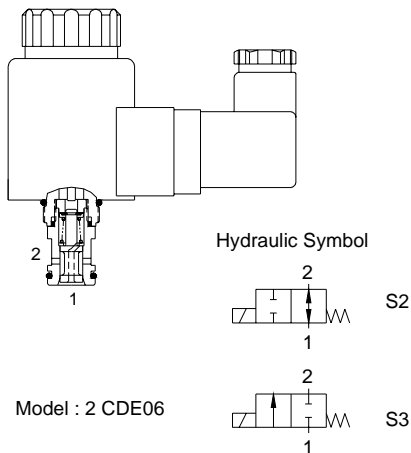
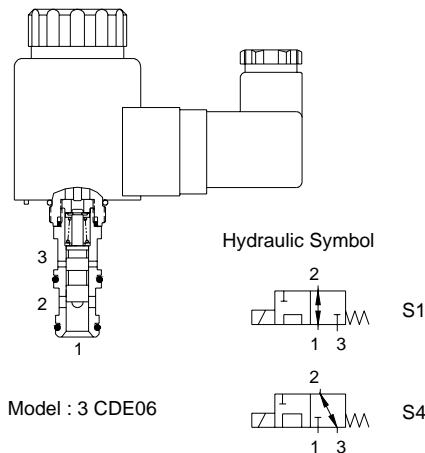
Moulded solenoid coils eliminate moisture problems and ingress of dust.

Plug-in-coils for ease of maintenance.

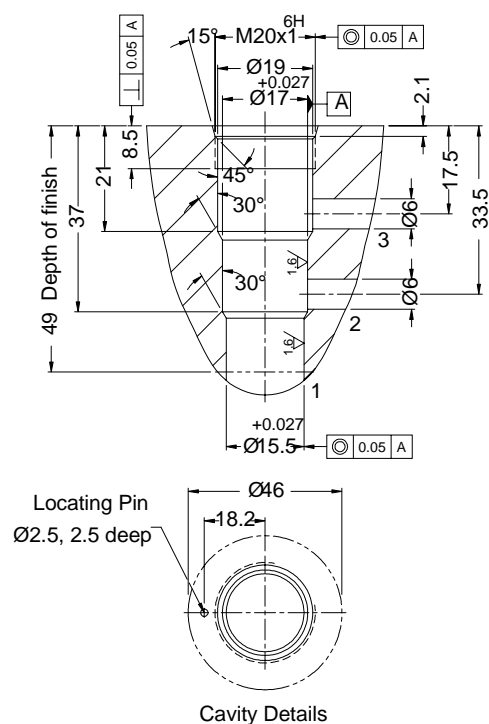
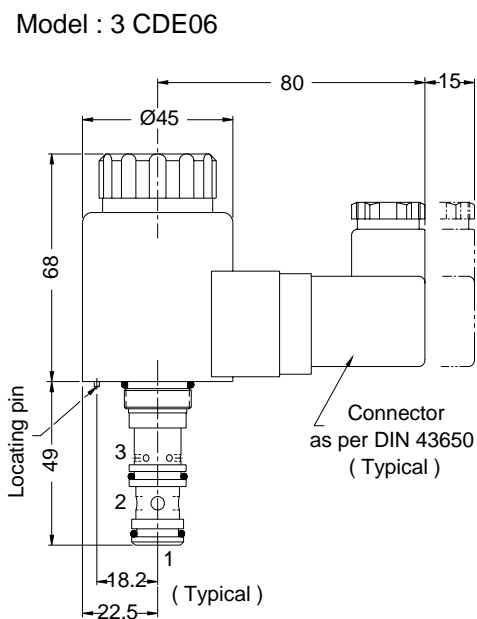
Indicator lights are a standard feature.



## Section



## Unit dimension







SOLENOID OPERATED  
CARTRIDGE DCV  
CDE 06

ENGINEERING

3

Ref. No. D 31100

Ordering code

3 CDE 06 S1 D12 - 01

Service ports	2
	3

Cartridge Directional Valve  
Solenoid Operated

Size 06

Spool type  
refer symbol

Design code subject to  
change. Installation  
dimensions remain same.  
for design code 01 thru 09.

Coil Voltage	
D12	DC 12 V
D24	DC 24 V
A110	AC 110 V, 50 Hz.
A220	AC 220 V, 50 Hz



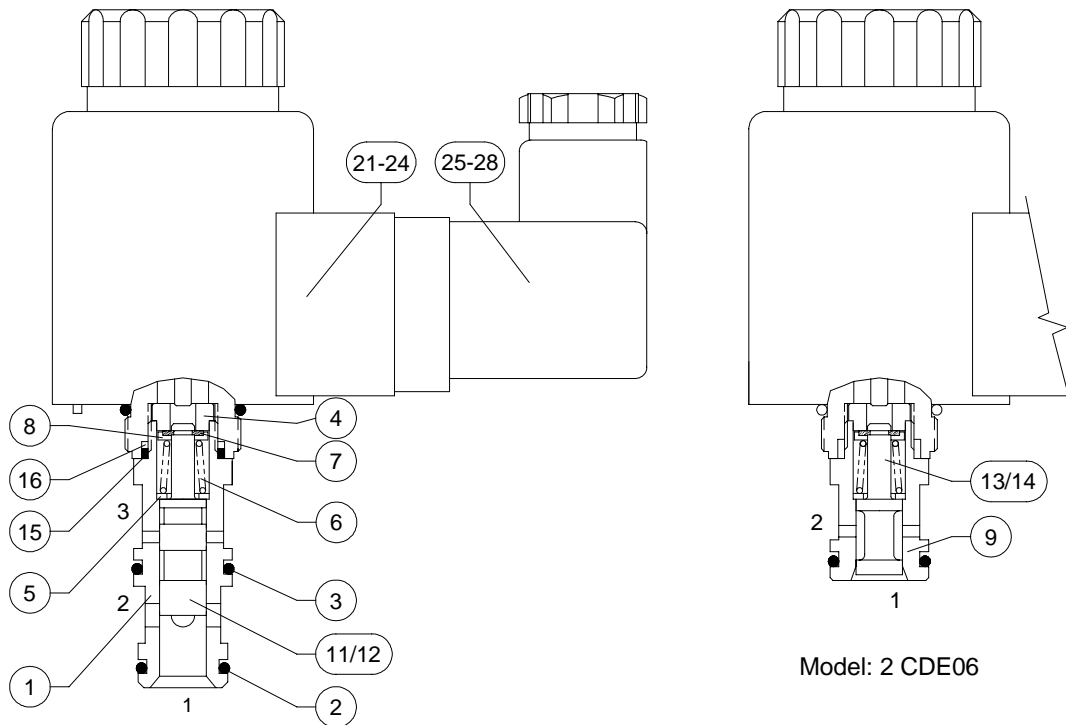
SOLENOID OPERATED  
CARTRIDGE DCV  
CDE 06

SERVICE

4

Ref. No. D 31100

Sectional View and Spare part details



Model: 3 CDE06

Model: 2 CDE06

NO.	DESCRIPTION	PART NO.	SIZE	QTY.
1	SLEEVE	31101		1
*	2 O'RING (Nitrile-90 Shore A)	31102	Ø12.2 x 1.8	1
*	3 O'RING (Nitrile-90 Shore A)	31103	Ø13.8 x 1.8	1
4	STOPPER	31104		1
5	SPRING PAD	31105		1
6	CONICAL SPRING	31106		1
7	SPLIT WASHER	31107		1
8	CUP	31108		1
9	SLEEVE	31109		1
11	SPOOL S1	31111		1
12	SPOOL S4	31112		1
13	SPOOL S2	31113		1
14	SPOOL S3	31114		1
15	O'RING (Nitrile-90 Shore A)	31115	Ø11.6 x 1.8	1
16	BACKUP RING (Teflon)	31116	Ø12 x Ø14 x 1	1
#	21 SOLENOID ASSLY. (12 VDC)	30216	PGZ45-12VDC	1
#	22 SOLENOID ASSLY. (24 VDC)	30217	PGZ45-24VDC	1
#	23 SOLENOID ASSLY. (110 VDC)	30218	PWZ45-110VAC	1
#	24 SOLENOID ASSLY. (220 VDC)	30219	PWZ45-220VAC	1
#	25 CONNECTOR HD-211/SL (12VDC)	30221	DIN 43650	1
#	26 CONNECTOR HD-211/SL (24VDC)	30222	DIN 43650	1
#	27 CONNECTOR HD-211/SL (110VAC)	30223	DIN 43650	1
#	28 CONNECTOR HD-211/SL (220VAC)	30224	DIN 43650	1

Note : \* Recommended seal kit. \* & # Recommended spare kit.

All rights reserved.  
Subject to revision.

While ordering the individual spares / spare kit / seal kit, give part no. and complete details of model code as on the label.