

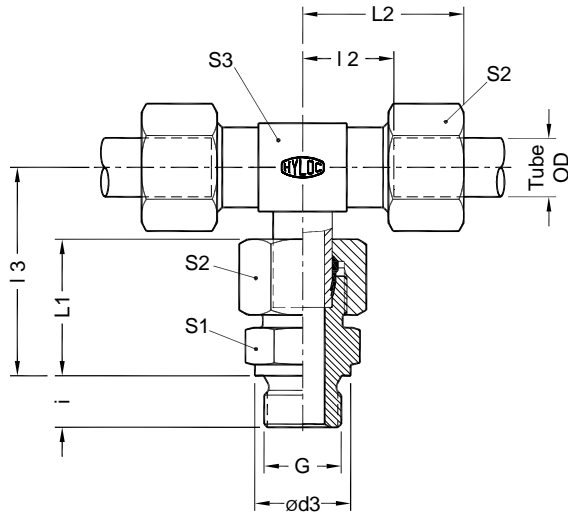
Swivel Stud Branch Tee Couplings

EVT-G

Dimensions in mm

DIN Fittings

Metric Tube end as per ISO 8434



Part No.	Series	Tube od	G Male BSP thread	ød3	i	L2	L3	* L1	* L2	S1	S2	S3
EVT06PLG	Light L 250 bar	6	G 1/8	14	8	12.0	34.5	24.0	27.5	14	14	12
EVT08PLG		8	G 1/4	18	12	14.0	37.5	25.0	29.0	19	17	14
EVT10PLG		10	G 1/4	18	12	15.0	40.0	26.5	30.5	19	19	17
EVT12PLG		12	G 3/8	22	12	17.0	42.0	27.5	32.0	22	22	19
EVT15PLG		15	G 1/2	26	14	21.0	46.5	30.0	37.0	27	27	22
EVT18PLG	160 bar	18	G 1/2	26	14	23.5	50.0	31.5	40.5	27	32	27
EVT22PLG		22	G 3/4	32	16	27.5	55.0	33.5	44.5	32	36	30
EVT28PLG	100 bar	28	G 1	39	18	30.5	59.0	35.5	48.5	41	41	36
EVT35PLG		35	G1.1/4	49	20	34.5	68.5	40.5	57.5	50	50	46
EVT42PLG		42	G1.1/2	55	22	40.0	75.0	42.5	63.5	55	60	55
EVT06PSG	Heavy S 630 bar	6	G 1/4	18	12	16.0	40.0	28.5	31.5	19	17	14
EVT08PSG		8	G 1/4	18	12	17.0	42.5	30.0	32.0	19	19	17
EVT10PSG		10	G 3/8	22	12	17.5	45.0	32.0	34.5	22	22	19
EVT12PSG		12	G 3/8	22	12	21.5	48.0	33.5	38.0	22	24	22
EVT16PSG		400 bar	16	G 1/2	26	14	24.5	55.0	37.5	43.5	27	30
EVT20PSG	20		G 3/4	32	16	26.5	65.0	43.0	49.0	32	36	30
EVT25PSG	25		G 1	39	18	30.0	73.0	48.0	55.0	41	46	36
EVT30PSG	250 bar	30	G1.1/4	49	20	35.5	78.5	51.5	63.5	50	50	46
EVT38PSG		38	G1.1/2	55	22	41.0	89.0	57.5	72.5	55	60	55

* Dimensions given are approx figures with tightened nut.