

# Straight Male Stud Couplings

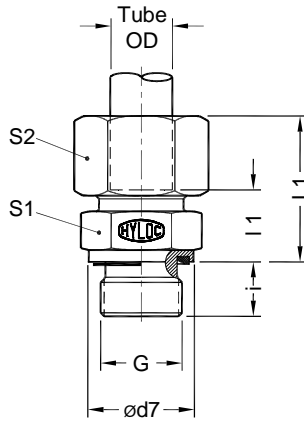
GE-GE

Dimensions in mm

DIN Fittings

Metric Tube end as per ISO 8434

Male BSPP (G) Thread as per  
DIN 3852, Part 11 with  
Elastomeric seal



Part No.	Series	Tube od	G Male BSP thread	ø d7	i	l1	* L1	S1	S2
GE06PLGE	Light L 250 bar	6	G 1/8 A	14	8	8.5	24	14	14
GE08PLGE		8	G 1/4 A	19	12	10	25	19	17
GE10PLGE		10	G 1/4 A	19	12	11	26.5	19	19
GE12PLGE		12	G 3/8 A	22	12	12.5	27.5	22	22
GE15PLGE		15	G 1/2 A	27	14	14	30	27	27
GE18PLGE	160 bar	18	G 1/2 A	27	14	14.5	31.5	27	32
GE22PLGE		22	G 3/4 A	32	16	16.5	33.5	32	36
GE28PLGE		100 bar	28	G 1 A	40	18	17.5	35.5	41
GE35PLGE	35		G1 1/4 A	50	20	17.5	40.5	50	50
GE42PLGE	42		G1 1/2 A	55	22	19	42.5	55	60
GE06PSGE	Heavy S 630 bar		6	G 1/4 A	19	12	13	28.5	19
GE08PSGE		8	G 1/4 A	19	12	15	30	19	19
GE10PSGE		10	G 3/8 A	22	12	15	32	22	22
GE12PSGE		12	G 3/8 A	22	12	17	33.5	22	24
GE16PSGE		400 bar	16	G 1/2 A	27	14	18.5	37.5	27
GE20PSGE	20		G 3/4 A	32	16	20.5	43	32	36
GE25PSGE	25		G 1 A	40	18	23	48	41	46
GE30PSGE	250 bar	30	G1 1/4 A	50	20	23.5	51.5	50	50
GE38PSGE		38	G1 1/2 A	55	22	26	57.5	55	60

\* Dimensions given are approx figures with tightened nut.