

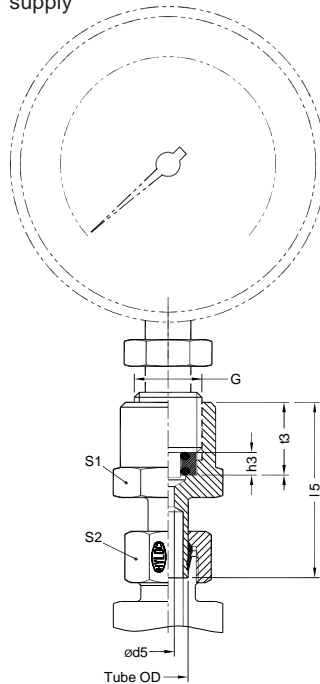
Adjustable Pressure Gauge Standpipes

MAVEV-G

Dimensions in mm

DIN Fittings

Metric Tube end as per ISO 8434
Gauge is not in scope of supply



Part No.	Series	Tube od	Connection thread G	ød5	h3	I 5	S1	S2	t 3
MAVEV06PLG02	250 bar	6	G 1/4	2.5	4.5	38.0	19	14	14.5
MAVEV08PLG02		8	G 1/4	4.5	4.5	38.0	19	17	14.5
MAVEV10PLG02		10	G 1/4	5.5	4.5	39.5	19	19	14.5
MAVEV12PLG02		12	G 1/4	5.5	4.5	40.5	19	22	14.5
MAVEV06PLG03	250 bar	6	G 3/8	2.5	5.5	38.0	22	14	16.5
MAVEV08PLG03		8	G 3/8	5.5	5.5	38.0	22	17	16.5
MAVEV10PLG03		10	G 3/8	5.5	5.5	39.5	22	19	16.5
MAVEV12PLG03		12	G 3/8	5.5	5.5	40.5	22	22	16.5
MAVEV06PSG03	630 bar	6	G 3/8	2.5	5.5	41.0	22	17	16.5
MAVEV08PSG03		8	G 3/8	5.5	5.5	41.0	22	19	16.5
MAVEV10PSG03		10	G 3/8	5.5	5.5	43.0	22	22	16.5
MAVEV12PSG03		12	G 3/8	5.5	5.5	43.5	22	24	16.5
MAVEV06PSG04	630 bar	6	G 1/2	3.5	5.5	45.0	27	17	20.0
MAVEV08PSG04		8	G 1/2	3.5	5.5	45.0	27	19	20.0
MAVEV10PSG04		10	G 1/2	6.5	5.5	47.0	27	22	20.0
MAVEV12PSG04		12	G 1/2	7.0	5.5	47.5	27	24	20.0