



# BY - PASS CHECK VALVE ( MODULAR ) BCM

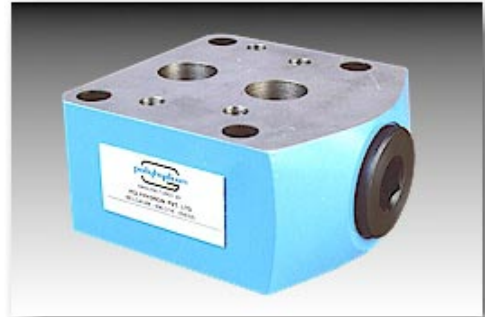
**ENGINEERING**

**1**

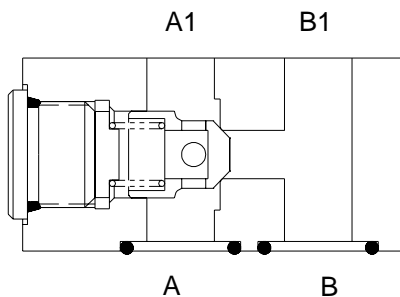
**Ref. No. P06175**  
Release 03/2006

## Description

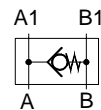
Seat type modular valve.  
Intended for by - passing Pressure control valve,  
Pressure reducing valve etc. to achieve reverse free  
flow condition.  
Allow free flow from port A to port B or from  
port B to port A ( see model code )  
and offer leakage free closure in opposite direction.  
Available in four sizes of standard interfaces  
conforming to ISO 5781, DIN 24340 or IS 10187  
Each model available with options of four cracking  
pressures : 0.5, 1.5, 3 and 5 bar.



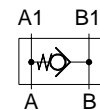
## Section



### Hydraulic Symbol



BCM\*AB\*/\*



BCM\*BA\*/\*

## Unit dimension

### Valve

**MODEL CODE : BCM\*AB\*/\***

**MODEL CODE : BCM\*BA\*/\***

Dimensions in mm.

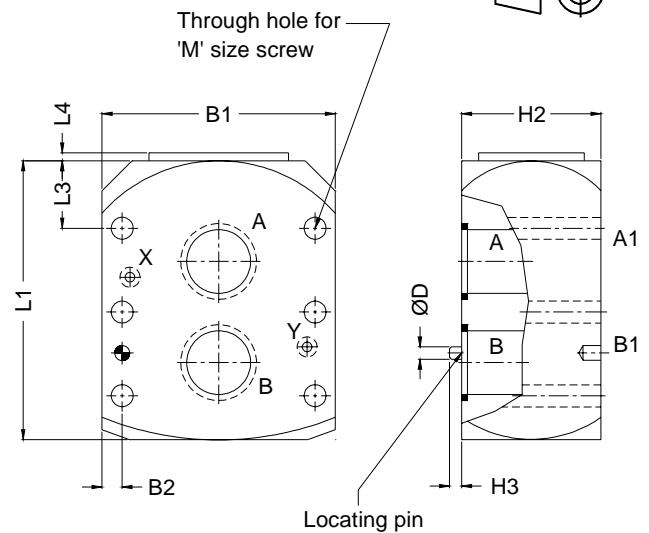
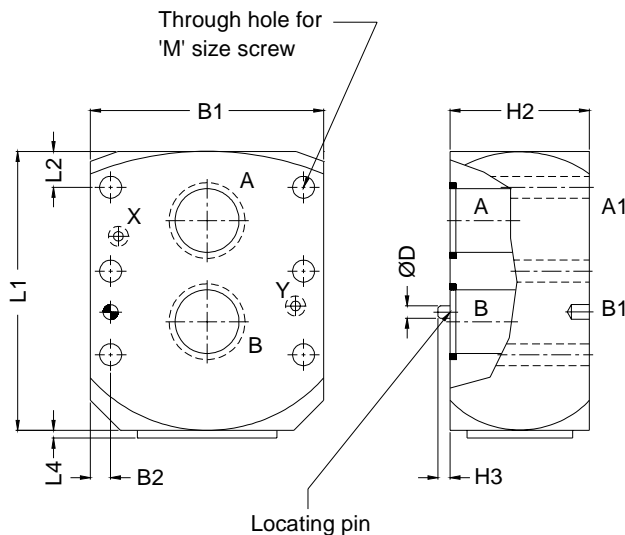


Table No. 1

Model	B1	B2	H2	H3	ØD	M	L1	L2	L3	L4	No. of fixing screws
BCM 06	44	6.5	30	4	3	M5	61	5.5	12.6	3.5	4
BCM 10	88	10.7	40	6	6.3	M10	79	10.5	25.7	3	4

### Polyhydron Pvt. Ltd.

78-80, Machhe Industrial Estate,  
Machhe, Belgaum - 590 014. INDIA.

**Phone** : +91-(0)831-2411001

**Fax** : +91-(0)831-2411002

**E-mail** : polyhydron@vsnl.com

**Website** : www.polyhydron.com



# BY - PASS CHECK VALVE ( MODULAR ) BCM

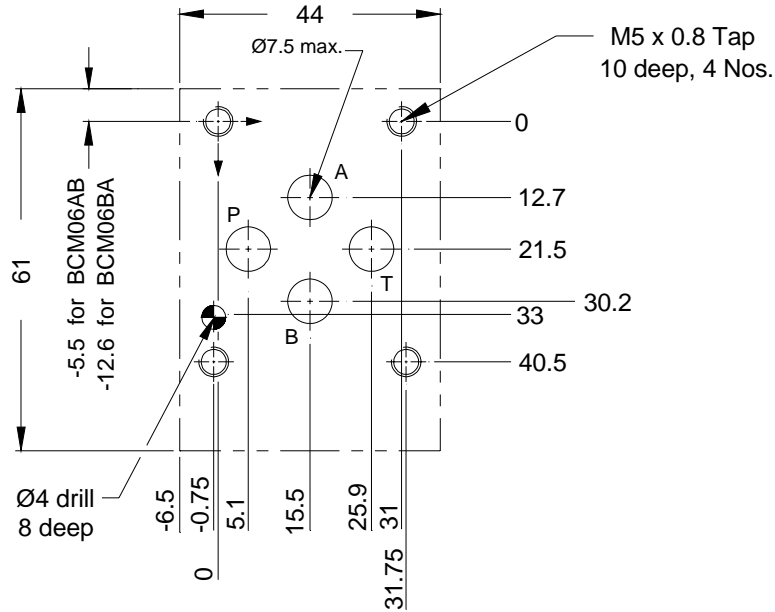
ENGINEERING

2

Ref. No. P06175

## Interface Details

Size 06



Size 10, 20 and 30

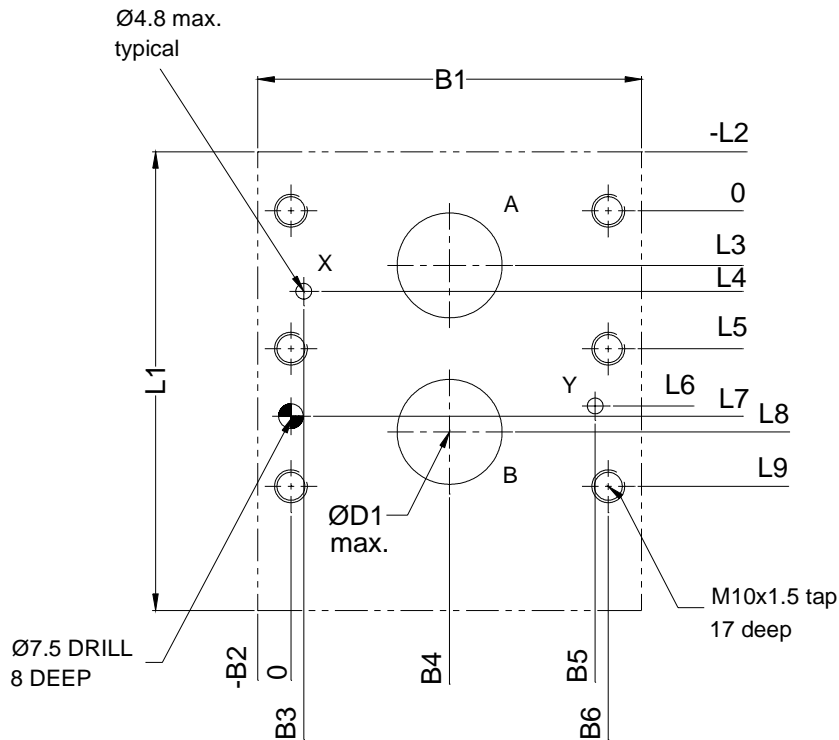


Table No. 2

Model	B1	B2	B3	B4	B5	B6	ØD1	ØD2	L1	L3
BCM 10	88	10.7	8	33.3	58.7	66.7	14	4.8	79	7.1
Model	L4	L5	L6	L7	L8	L9	(for BCM*AB*) -L2		(for BCM*BA*) -L2	
BCM 10	21.4	--	21.4	31.8	35.7	42.9	10.5		32.8	



BY - PASS CHECK VALVE  
( MODULAR )  
BCM

ENGINEERING

3

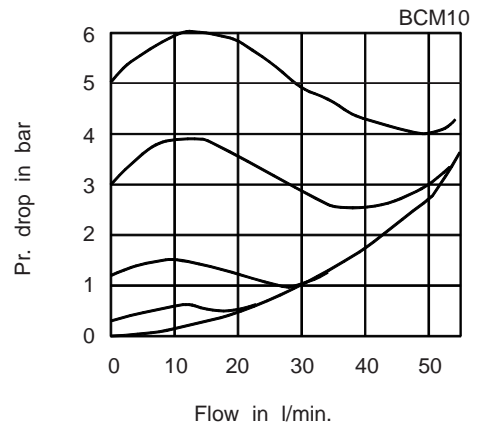
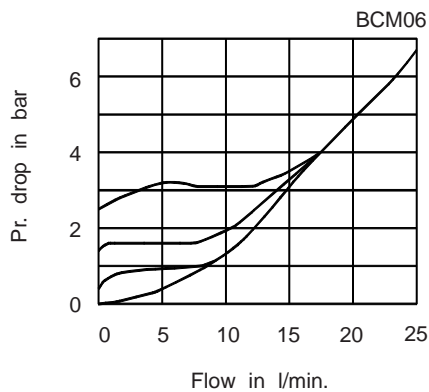
Ref. No. P06175

**Technical specification**

Construction ..... Seat type.  
Mounting ..... Modular type Interface conforming to ISO 5781.  
Mounting position ..... Optional.  
Direction of flow for valve BCM\*AB ..... Free flow from port A to port B  
for valve BCM\*BA ..... Free flow from port B to port A Leakfree closure in opposite direction.  
Operating pressure ..... 315 bar.  
Cracking pressure ..... 0.5, 1.5, 3 or 5 bar.  
Viscosity range ..... 10 cSt to 380 cSt.  
Fluid temperature range ..... -10 °C to +80 °C.  
Flow handling capacity ..... Refer graph below.

**Performance Curve**

Oil used : ISO VG 68, Viscosity : 68 cSt @ 40 °C, Temp @ test : 50 °C.





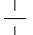
BY - PASS CHECK VALVE  
( MODULAR )  
**BCM**

ENGINEERING

4

Ref. No. P06175

Ordering code

BCM 06 AB 1  21

By-pass check valve  
modular construction.

Size 06, 10

Direction of free flow	
From port A to B	AB
From port B to A	BA
From port A to P ( Available only for Size 06 )	AP

Design code subject to change.  
Installation dimensions remain same  
for design code 20 thru 29.

Cracking pressure	
1 --	0.5 bar
2 --	1.5 bar
3 --	3 bar
4 --	5 bar