



ROTARY DIRECTIONAL CONTROL VALVE RDL

ENGINEERING

1

Ref. No. P06429

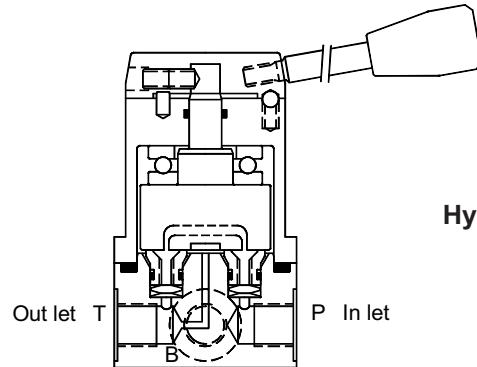
Release 10/2001

Description

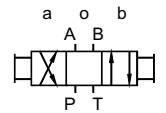
A lever operated rotary type directional control valve is generally used for high pressure applications at low flow.



Section



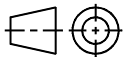
Hydraulic Symbol



Unit dimension

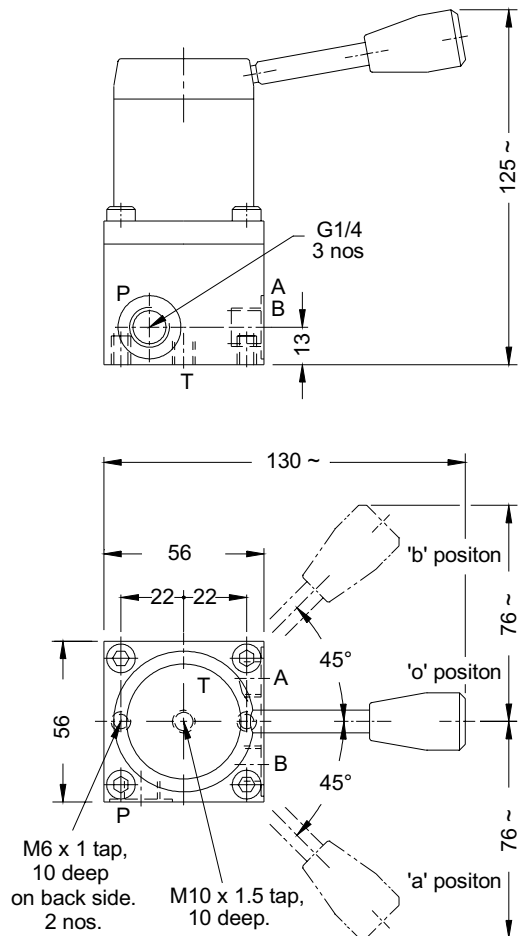
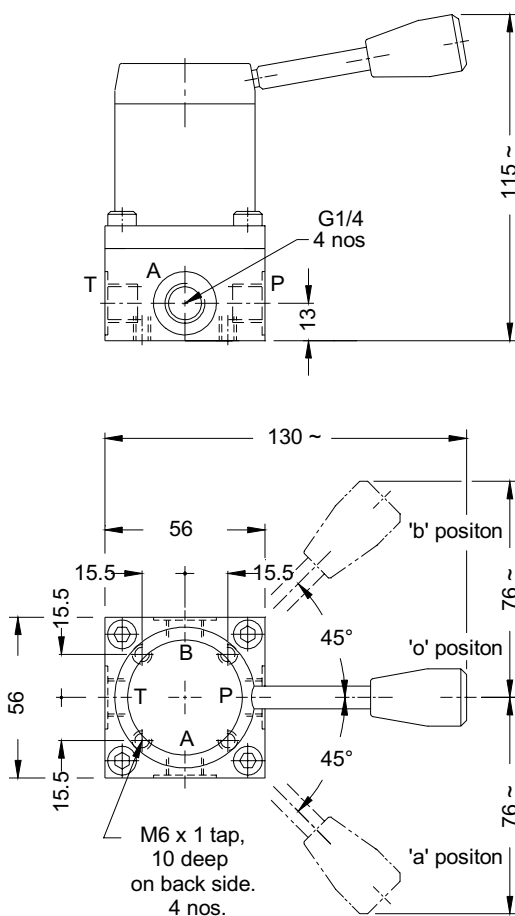
Threaded body

Dimensions in mm.



Model : 4RDL* T

Model : 4RDL* HP



Polyhydron Pvt. Ltd.

78-80, Machhe Industrial Estate,
Machhe, Belgaum - 590 014. INDIA.

Phone : +91-(0)831-411001

Fax : +91-(0)831-411002

E-mail : polyhydron@vsnl.com

Website : www.polyhydron.com



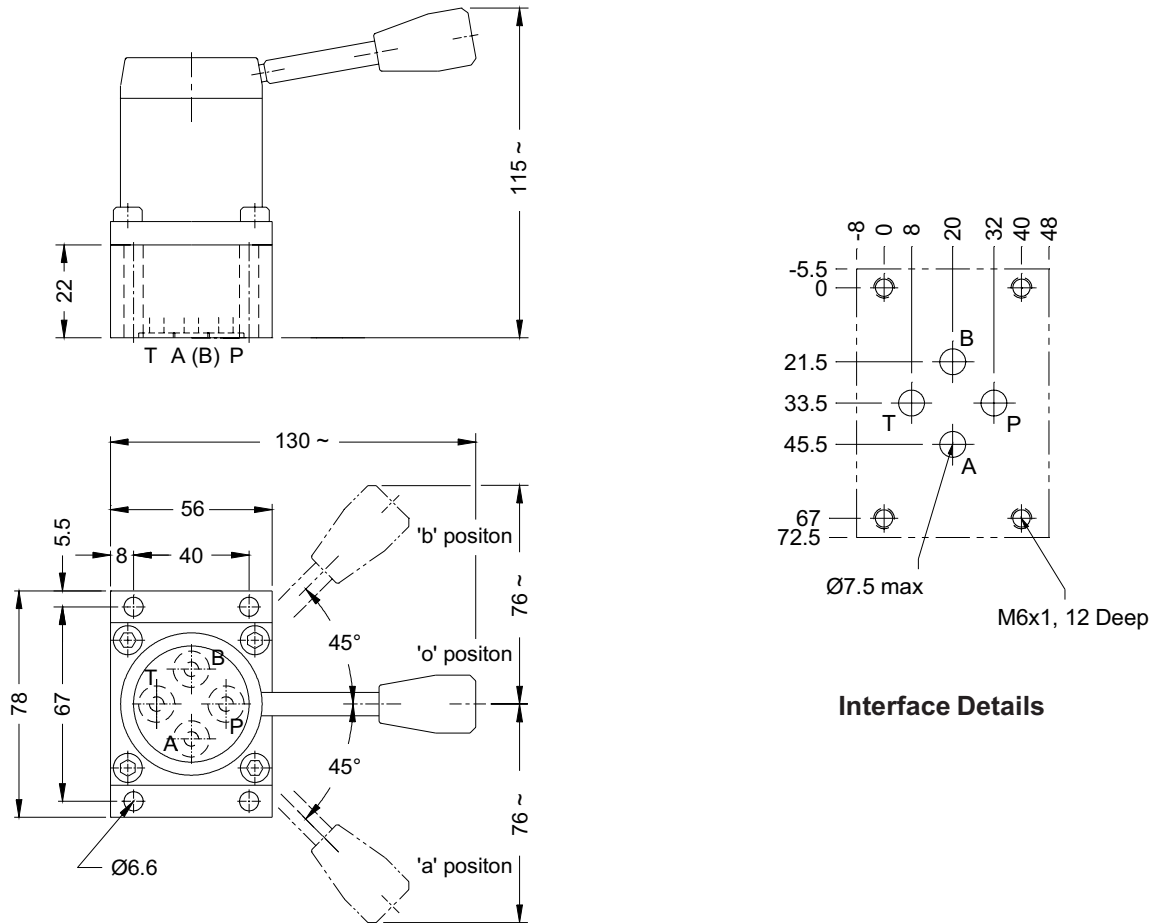
ROTARY DIRECTIONAL CONTROL VALVE RDL

ENGINEERING

2

Ref. No. P06429

Subplate body



Interface Details

Technical specification

Construction Rotary disc type.
 Mounting type Threaded and Subplate body.
 Mounting position Optional.
 Flow direction Refer spool type.
 Operating pressure (bar)

Port	P	A	B	T
Continuous	700	700	700	110
Intermittent	1000	1000	1000	(max.)

Hydraulic medium Mineral oil.
 Viscosity range 10 cSt to 380 cSt.
 Fluid temperature range -20 °C to +70 °C.
 Fluid cleanliness requirement As per ISO code 16/13 or better.
 Flow handling capacity Refer graph below.
 Weight 1.8 kg. Max.



**ROTARY
DIRECTIONAL CONTROL VALVE
RDL**

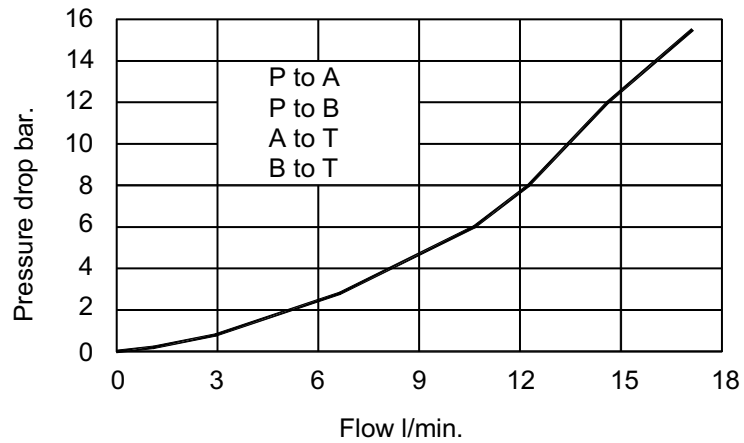
ENGINEERING

3

Ref. No. P06429

Performance Curve

Oil used : ISO VG 68, Viscosity : 68 cSt. @ 40 °C, Temp @ test : 42 °C



Ordering code

4 RDL 02 T E D 03

4 Service ports 4

Rotary DCV lever operated

Size - 02

Threaded	T
Subplate	S
Hand pump mounting	HP
Hand pump mounting with pipe fittings	HPT

Design code subject to change. Installation dimensions remain same. for design code 01 thru 09.

D Detented

Spool type. Refer chart

Spool chart

Type	Symbol	Crossover
C		
E		
G		



ROTARY
DIRECTIONAL CONTROL VALVE
RDL

ENGINEERING

4

Ref. No. P06429

All rights reserved.
Subject to revision.