



EXTENSION BRACKET ASSEMBLY EB

ENGINEERING

1

Ref. No. P09090

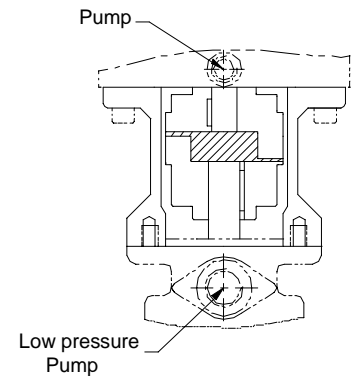
Release 05/2005

Description

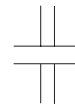
The Extension bracket series EB are designed for coupling Low pressure hydraulic pumps having flanges as per ISO standards to Polyhydron make high pr. pumps (1R,2R,11R and 12R series). These Extension brackets are precisely machined to reduce misalignment of coupled shafts. The correct alignment of the shafts along with the cushioned power transmission through a resilient spider increases the life of the bearings of the Hi-Low pr.pump coupled. The construction also reduces the noise generation considerably.



Section



Hydraulic Symbol

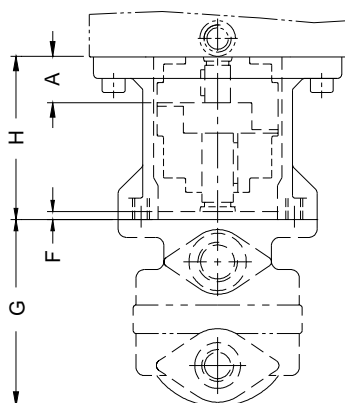
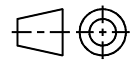
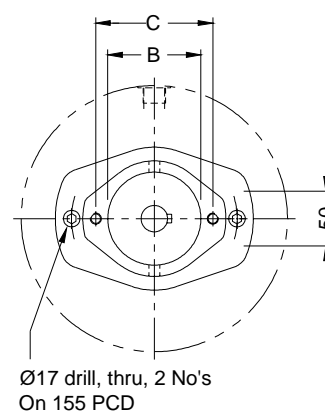
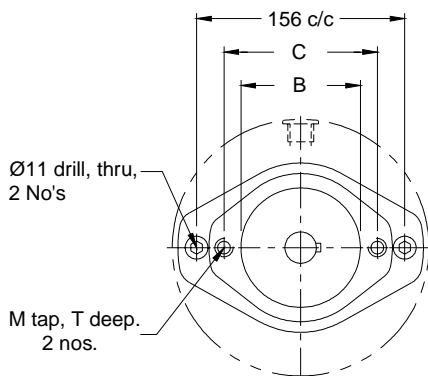


Unit dimension

FOR 1R / 2R PUMPS

FOR 11R / 12R PUMPS

Dimensions in mm.



Table

Model	Pump mounting flange	Weight Kg. (approx.)	Ø B	C	F	H	M	T	A
1R / 2R	B1	6	82.6	106.4	30	120	M10	15	32
	B2	6	101.6	146	10	114	M12	18	32
	B3	7.5	127	181	14	138	M16	20	32
11R / 12R	B1	8	82.6	106.4	30	136	M10	15	40
	B2	9	101.6	146	10	130	M12	18	40
	B3	11	127	181	14	154	M16	20	40
* 1R / 2R	1R	6	60	80	10	118	M8	30	32
* 11R / 12R	1R	7.5	60	80	10	134	M8	30	40

Note :

For dimension 'G' please refer pump manufacturers' catalogue. Flexible coupling can be supplied with bored and key way machined coupling half to suit a specific brand and model of pump, against specific request.

* Bracket for coupling high pr Polyhydron pump to high pr.Polyhydron pump.

Polyhydron Pvt. Ltd.

78-80, Machhe Industrial Estate,
Machhe, Belgaum - 590 014. INDIA.

Phone : +91-(0)831-2411001
Fax : +91-(0)831-2411002
E-mail : polyhydron@vsnl.com
Website : www.polyhydron.com



EXTENSION BRACKET ASSEMBLY EB

ENGINEERING

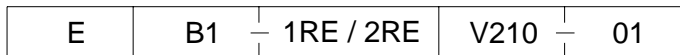
2

Ref. No. P09090

Technical specification

Construction	Partially enclosed cast iron housing with flexible coupling.
Mounting style	Flange mounting, factory standard.
Mounting position	Axis of the assembly can be mounted in any direction.
High pr. pump (Polyhydron)	Factory standard.
mounting flange	
Low pr. pump mounting flange	As per IS 2223 / IEC 72-2.
Flexible coupling	Spider type.
Working temperature	- 40 °C to + 80 °C
Mass	Refer table.

Ordering code



Extension bracket assembly

Pump mounting	B1
Flange	B2
	B3

1RE / 2RE
11RE / 12RE

Design code subject to change. Installation dimensions remain same. for design code 01 thru 09.

Pump couplings for low pressure bell housings				Pump coupling for high pr. bell housings
Make	B1	B2	B3	Polyhydron
Vickers	V210	V30 25V	35V	---
Dowty	OP 1P	2P	3P	---
Yuken	PVR1T	PVR50	PVR150	---
Polyhydron	---	---	---	1R

* **Note 1** : Customer has to clearly specify the model code and make of the pump.
For eg. V210 Vickers.