

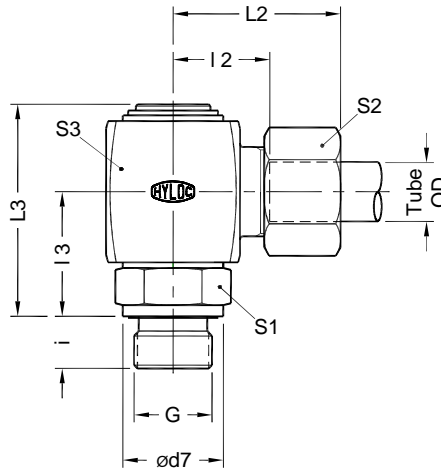
# Rotary Banjo Couplings

RW-GE

Dimensions in mm

DIN Fittings

Metric Tube end as per ISO 8434  
Male stud - BSPP (G) threads  
with Elastomeric seal



Part No.	Series	Tube od	BSP thread G	ød7	i	L 2	L 3	* L2	L3	S1	S2	S3
RW06PLGE	Light L 250 bar	6	G 1/8 A	14	8	14.0	19.0	29.0	35.5	14	14	22
RW08PLGE		8	G 1/4 A	19	12	18.0	23.5	33.0	41.5	19	17	27
RW10PLGE		10	G 1/4 A	19	12	19.0	23.5	35.0	41.5	19	19	27
RW12PLGE		12	G 3/8 A	22	12	20.0	27.0	35.0	46.5	22	22	32
RW15PLGE		15	G 1/2 A	27	14	25.5	33.5	41.5	57.0	27	27	36
RW18PLGE	100 bar	18	G 1/2 A	27	14	25.0	33.5	42.5	57.0	27	32	36
RW22PLGE		22	G 3/4 A	32	16	29.5	39.0	47.0	66.0	32	36	46
RW28PLGE	100 bar	28	G 1 A	40	18	34.0	45.0	52.5	78.0	41	41	55
RW35PLGE		35	G1 1/4 A	50	20	38.0	51.5	60.5	93.0	50	50	65
RW42PLGE		42	G1 1/2 A	55	22	42.5	60.5	65.5	108.0	55	60	75
RW06PSGE	Heavy S 400 bar	6	G 1/4 A	19	12	18.5	23.5	33.5	41.5	19	17	27
RW08PSGE		8	G 1/4 A	19	12	18.5	23.5	33.5	41.5	19	19	27
RW10PSGE		10	G 3/8 A	22	12	20.5	27.0	38.0	46.5	22	22	32
RW12PSGE		12	G 3/8 A	22	12	20.5	27.0	37.0	46.5	22	24	32
RW16PSGE		16	G 1/2 A	27	14	23.5	33.5	43.0	57.0	27	30	36
RW20PSGE	400 bar	20	G 3/4 A	32	16	28.5	39.0	51.0	66.0	32	36	46
RW25PSGE		25	G 1 A	40	18	33.5	45.0	58.5	78.0	41	46	55
RW30PSGE		30	G1 1/4 A	50	20	39.0	51.5	67.5	93.0	50	50	65
RW38PSGE	250 bar	38	G1 1/2 A	55	22	43.5	60.5	75.5	108.0	55	60	75

\* Dimensions given are approx figures with tightened nut.