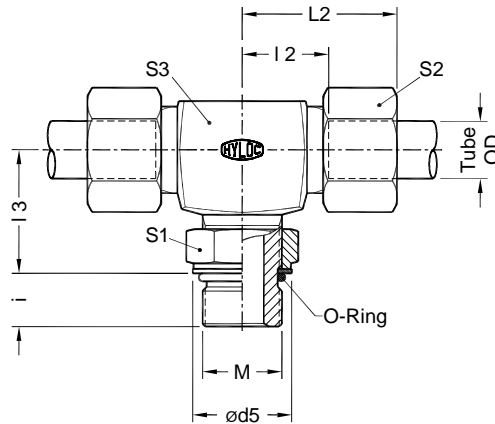


Metric Tube end as per ISO 8434



Part No.	Series	Tube od	Metric thread M	ød5	i	L1	* L2	I3	S1	S2	S3
TEE06PLMO	Light L 315 bar	6	M10x1.0	15	7.0	14.0	29.5	20.0	14	14	14
TEE08PLMO		8	M12x1.5	18	10.0	16.0	31.0	22.0	17	17	14
TEE10PLMO		10	M14x1.5	20	10.0	17.0	32.5	25.0	19	19	19
TEE12PLMO		12	M16x1.5	23	10.0	19.0	34.0	26.0	22	22	19
TEE15PLMO		15	M18x1.5	25	11.0	21.0	37.0	30.0	24	27	22
TEE18PLMO		18	M22x1.5	28	12.0	24.0	41.0	33.0	27	32	27
TEE22PLMO	160 bar	22	M27x2.0	33	14.0	28.0	45.0	35.0	32	36	30
TEE28PLMO		28	M33x2.0	41	14.0	31.0	49.0	38.0	41	41	36
TEE35PLMO		35	M42x2.0	51	14.0	38.0	61.0	48.0	50	50	50
TEE42PLMO		42	M48x2.0	56	16.0	38.0	61.5	49.0	55	60	50
TEE06PSMO	Heavy 400 bar	6	M12x1.5	18	10.0	15.0	30.5	22.0	17	17	14
TEE08PSMO		8	M14x1.5	20	10.0	17.0	32.0	26.0	19	19	19
TEE10PSMO		10	M16x1.5	23	11.0	18.0	35.0	27.0	22	22	19
TEE12PSMO		12	M18x1.5	25	12.0	22.0	38.5	31.0	24	24	22
TEE16PSMO		16	M22x1.5	28	14.0	25.0	44.0	35.0	27	30	27
TEE20PSMO		400 bar	20	M27x2.0	33	16.0	28.0	50.5	39.0	32	36
TEE25PSMO	315 bar	25	M33x2.0	41	16.0	30.0	55.0	44.0	41	46	36
TEE30PSMO	250 bar	30	M42x2.0	51	17.0	36.0	64.0	51.0	50	50	50
TEE38PSMO	200 bar	38	M48x2.0	56	19.0	34.0	65.5	54.0	55	60	50

* Dimensions given are approx figures with tightened nut.