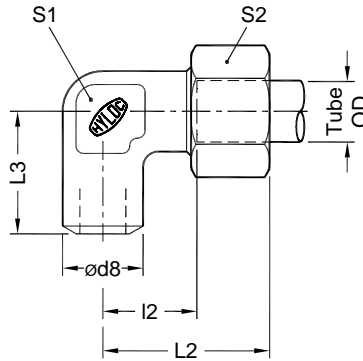


Metric Tube end as per ISO 8434



\*

Part No.	Series	Tube od	ød8	I 2	L2	L3	S1	S2
WAS06PL	Light L 250 bar	6	10	12.0	27.5	19	12	14
WAS08PL		8	12	14.0	29.0	23	12	17
WAS10PL		10	14	15.0	30.5	24	14	19
WAS12PL		12	16	17.0	32.0	25	17	22
WAS15PL		15	19	21.0	37.0	30	22	27
WAS18PL	160 bar	18	22	23.5	40.5	31	24	32
WAS22PL		22	27	27.5	44.5	37	27	36
WAS28PL	100 bar	28	32	30.5	48.5	42	36	41
WAS35PL		35	40	34.5	57.5	49	41	50
WAS42PL		42	46	40.0	63.5	57	50	60
WAS06PS	Heavy S 630 bar	6	11	16.0	31.5	23	12	17
WAS08PS		8	13	17.0	32.0	24	14	19
WAS10PS		10	15	17.5	34.5	25	17	22
WAS12PS		12	17	21.5	38.0	29	19	24
WAS16PS	400 bar	16	21	24.5	43.5	33	24	30
WAS20PS		20	26	26.5	49.0	37	27	36
WAS25PS		25	31	30.0	55.0	42	36	46
WAS30PS	250 bar	30	36	35.5	63.5	49	41	50
WAS38PS		38	44	41.0	72.5	57	50	60

\* Dimensions given are approx figures with tightened nut.