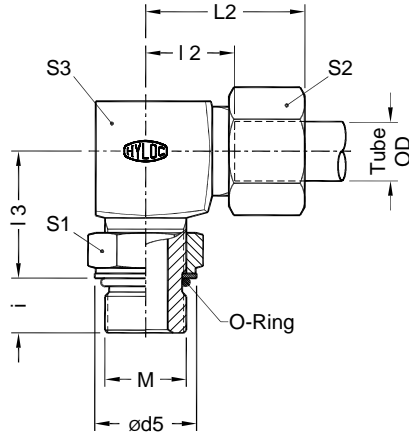


Dimensions in mm

DIN Fittings

Metric Tube end as per ISO 8434



Part No.	Series	Tube od	Metric thread M	ød5	i	I 2	* L2	I 3	S 1	S 2	S 3
WEE06PLMO	Light L 315 bar	6	M10x1.0	15	7.0	14.0	29.5	20.0	14	14	14
WEE08PLMO		8	M12x1.5	18	10.0	16.0	31.0	22.0	17	17	14
WEE10PLMO		10	M14x1.5	20	10.0	17.0	32.5	25.0	19	19	19
WEE12PLMO		12	M16x1.5	23	10.0	19.0	34.0	26.0	22	22	19
WEE15PLMO		15	M18x1.5	25	11.0	21.0	37.0	30.0	24	27	22
WEE18PLMO		18	M22x1.5	28	12.0	24.0	41.0	33.0	27	32	27
WEE22PLMO	160 bar	22	M27x2.0	33	14.0	28.0	45.0	35.0	32	36	30
WEE28PLMO		28	M33x2.0	41	14.0	31.0	49.0	38.0	41	41	36
WEE35PLMO		35	M42x2.0	51	14.0	38.0	61.0	48.0	50	50	50
WEE42PLMO		42	M48x2.0	56	16.0	38.0	61.5	49.0	55	60	50
WEE06PSMO	Heavy 400 bar	6	M12x1.5	18	10.0	15.0	30.5	22.0	17	17	14
WEE08PSMO		8	M14x1.5	20	10.0	17.0	32.0	26.0	19	19	19
WEE10PSMO		10	M16x1.5	23	11.0	18.0	35.0	27.0	22	22	19
WEE12PSMO		12	M18x1.5	25	12.0	22.0	38.5	31.0	24	24	22
WEE16PSMO		16	M22x1.5	28	14.0	25.0	44.0	35.0	27	30	27
WEE20PSMO		400 bar	20	M27x2.0	33	16.0	28.0	50.5	39.0	32	36
WEE25PSMO	315 bar	25	M33x2.0	41	16.0	30.0	55.0	44.0	41	46	36
WEE30PSMO	250 bar	30	M42x2.0	51	17.0	36.0	64.0	51.0	50	50	50
WEE38PSMO	200 bar	38	M48x2.0	56	19.0	34.0	65.5	54.0	55	60	50

* Dimensions given are approx figures with tightened nut.