

# Banjo Couplings

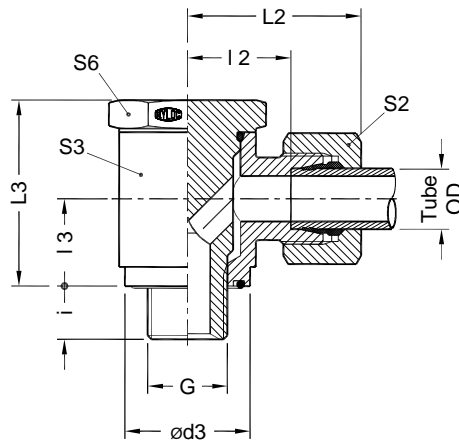
WHO-G

Dimensions in mm

DIN Fittings

Metric Tube end as per ISO 8434

Male stud - BSPP (G) threads



Part No.	Series	Tube od	BSP thread G	ød3	i	I 2	I 3	* L2	L3	S2	S3	S6
WHO06PLG	Light L 250 bar	6	G 1/8 A	18.0	8	15.0	11.0	30.5	25.0	14	19	19
WHO08PLG		8	G 1/4 A	22.5	12	17.5	14.5	32.5	33.0	17	24	24
WHO10PLG		10	G 1/4 A	22.5	12	18.5	14.5	34.0	33.0	19	24	24
WHO12PLG		12	G 3/8 A	27.0	12	21.5	18.0	36.5	39.0	22	27	27
WHO15PLG		15	G 1/2 A	32.0	14	25.0	20.0	41.0	44.0	27	32	32
WHO18PLG	100 bar	18	G 1/2 A	33.0	14	25.5	23.0	42.5	49.0	32	36	36
WHO22PLG		22	G 3/4 A	41.0	16	33.0	25.5	50.0	55.5	36	46	41
WHO28PLG		28	G 1 A	46.0	18	35.5	31.0	53.5	66.0	41	50	46
WHO35PLG		35	G1 1/4 A	57.0	20	39.5	34.0	62.5	76.0	50	60	60
WHO42PLG		42	G1 1/2 A	64.0	22	44.0	40.0	67.5	86.0	60	70	65
WHO06PSG	Heavy S 400 bar	6	G 1/4 A	22.5	12	19.5	14.5	35.0	33.0	17	24	24
WHO08PSG		8	G 1/4 A	22.5	12	19.5	14.5	34.5	33.0	19	24	24
WHO10PSG		10	G 3/8 A	27.0	12	22.0	18.0	39.0	39.0	22	27	27
WHO12PSG		12	G 3/8 A	27.0	12	22.0	18.0	38.5	39.0	24	27	27
WHO16PSG		16	G 1/2 A	33.0	14	26.5	23.0	45.5	49.0	30	36	36
WHO20PSG		20	G 3/4 A	41.0	16	32.0	25.5	54.5	55.5	36	46	41
WHO25PSG		25	G 1 A	46.0	18	35.0	31.0	60.0	66.0	46	50	46
WHO30PSG		30	G1 1/4 A	57.0	20	40.5	34.0	68.5	76.0	50	60	60
WHO38PSG		38	G1 1/2 A	64.0	22	45.0	40.0	76.5	86.0	60	70	65

\* Dimensions given are approx figures with tightened nut.